



# Operating Instructions

---

**Fronius Datamanager 2.0**  
**Fronius Datamanager Box 2.0**

**EN-US** | Operating instructions



42,0426,0191,EA

026-11032024



# Table of contents

<b>General information</b>	<b>7</b>
General.....	9
General.....	9
Available versions of the Fronius Datamanager 2.0.....	9
Applicable DATCOM Components.....	9
Prerequisites for operation.....	10
Inverter software required.....	10
Notes regarding radio certification.....	11
Scope of Supply.....	12
Using the Sticker Labels.....	13
Configuration Examples.....	13
Calculating the data volume.....	16
General.....	16
Calculating data volumes.....	16
General information for the network administrator.....	17
Requirements.....	17
General Firewall Settings.....	17
Sending Service Messages via a DSL Internet Connection.....	18
Using Fronius Solar.web and Sending Service Messages.....	18
Controls, connections and indicators.....	19
Safety.....	19
Controls, connections, and indicators.....	20
Schematic Connection of I/Os.....	24
Technical data.....	27
Technical data.....	27
WLAN.....	28
<b>Installing Fronius Datamanager 2.0</b>	<b>29</b>
Inserting Fronius Datamanager 2.0 into an Inverter.....	31
General.....	31
Safety.....	31
Fronius Datamanager 2.0 plug-in positions.....	31
Installing and connecting WLAN antennas.....	33
General.....	33
Fronius IG, Fronius IG Plus, Fronius IG Plus V, Fronius CL: Installing and Connecting Antennas.....	33
Fronius IG USA, Fronius IG Plus USA, Fronius IG Plus V USA: Installing and Connecting Antennas.....	34
Installing Fronius Datamanager 2.0 in Fronius Solar Net.....	37
Safety.....	37
Installing Inverters with Fronius Datamanager 2.0 in Fronius Solar Net.....	37
Installing Fronius Datamanager Box 2.0 in Fronius Solar Net.....	38
Fronius Solar Net Cabling.....	40
Fronius Solar Net clients.....	40
Fronius Solar Net Client Cabling.....	40
Requirements for the Fronius Solar Net data cables.....	40
Preassembled data cables.....	41
Installing Fronius Datamanager 2.0 – Overview.....	42
Safety.....	42
Starting for the first time using the Fronius Solar.start app.....	42
Starting for the First Time Using Web Browser.....	44
<b>Establishing a Connection to Fronius Datamanager 2.0</b>	<b>49</b>
Connecting to Fronius Datamanager 2.0 via a Web Browser.....	51
General.....	51
Requirements.....	51

Establishing a Connection to Fronius Datamanager 2.0 via a Web Browser.....	51
Connecting to Fronius Datamanager 2.0 via the Internet and Fronius Solar.web.....	52
General.....	52
Function Overview.....	52
Requirements .....	52
Accessing Data from Fronius Datamanager 2.0 via the Internet and Fronius Solar.web.....	52

**Current Data, Services, and Settings on Fronius Datamanager 2.0** **53**

The Fronius Datamanager 2.0 Website.....	55
Fronius Datamanager 2.0 Website – Overview.....	55
Login.....	55
Reset password .....	56
The Settings menu.....	56
Other setting options.....	56
Current Data in Fronius Datamanager 2.0.....	58
Current Comparison View.....	58
System Overview .....	58
Inverter/Sensor View.....	58
Services – System Information .....	59
System information.....	59
Services – Network Diagnostics.....	60
Network diagnostics.....	60
Services – Firmware Update.....	61
General.....	61
Automatic update search .....	61
Manual update search .....	61
Firmware update via web.....	61
Firmware update via LAN .....	61
Services – Opening Wizards.....	63
Opening wizards.....	63
Settings – General.....	64
General.....	64
Settings – Passwords .....	65
General.....	65
Passwords.....	65
Settings – Network.....	66
Internet via WLAN .....	66
Internet via LAN .....	66
Local network via Access Point.....	66
Settings – Fronius Solar.web.....	68
Solar.web .....	68
Memory capacity.....	68
Calculating memory capacity.....	68
Calculation example.....	69
Settings - IO Mapping.....	70
General.....	70
AUS – Demand Response Modes (DRM).....	70
IO control.....	71
Load management.....	71
Settings - load management.....	72
General.....	72
Load management.....	72
Settings – Push Service.....	73
Push Service.....	73
Modbus Settings.....	74
General.....	74
Additional information on the Modbus function.....	74
Data output via Modbus.....	74
Limiting control.....	76
Save or Reject Changes.....	76
Settings – Inverter.....	77

- Inverter ..... 77
- Settings – Fronius Sensor Cards..... 78
  - Sensor Cards ..... 78
- Settings – Counter..... 79
  - General..... 79
  - Fronius Smart Meter..... 79
  - Connecting the Fronius Smart Meter to the Fronius Datamanager 2.0..... 80
  - SO Inverter ..... 80
- Settings – DNO Editor ..... 82
  - General..... 82
  - UC Editor – IO control..... 82
  - Connection diagram - 4 relays..... 83
  - Connection diagram - 3 relays..... 84
  - Connection diagram - 1 relay..... 85
  - Connection diagram - alternative with 2 relays..... 87
  - Example of application with two ripple control receivers..... 88
  - Connecting the ripple control receiver with several inverters..... 89
  - UC Editor—AUS—Demand Response Modes (DRM)..... 90
  - UC Editor – dynamic power reduction..... 90
  - UC Editor – Control priorities..... 91



# **General information**





# General

---

## General

The Fronius Datamanager 2.0 is a network-compatible datalogger which combines the functionality of the Fronius Com Card, the Fronius Datalogger Web, the Fronius Power Control Card, and the Fronius Modbus Card on one plug-in card.

The Fronius Datamanager 2.0 website provides a quick overview of the photovoltaic system.

The website can be accessed with a web browser via a direct connection or on the internet, if properly configured.

When connected to Fronius Solar.web, the real-time and archived data of a photovoltaic system can be easily accessed via the internet or the Fronius Solar.web app. No difficult configuration is required. Data is sent automatically from the Fronius Datamanager 2.0 to Fronius Solar.web. Fronius Solar.web is equipped with an easy-to-configure system monitoring feature with an automatic alarm. The alarm can be signaled via SMS or e-mail.

---

## Available versions of the Fronius Datamanager 2.0

The Fronius Datamanager 2.0 is available in the following versions:

- Without Fronius Com Card function  
(for Fronius Galvo Fronius Symo, and Fronius Primo inverters)
- With Fronius Com Card function  
(for Fronius IG, Fronius IG Plus, Fronius IG Plus V, Fronius IG Plus A, Fronius CL, Fronius CL USA, Fronius IG 300–500 inverters)
- In external housing with Fronius Solar Net IN and Fronius Solar Net OUT connection sockets  
(Fronius Datamanager Box 2.0, e.g., for inverters without plug-in card slots or for photovoltaic systems with a separate Fronius Datamanager 2.0)

Provided that the inverter is not fitted as standard with the Fronius Datamanager 2.0, existing inverters can be upgraded with the Fronius Datamanager 2.0 plug-in card.

---

## Applicable DATCOM Components

The Fronius Datamanager 2.0 plug-in card installed in the inverter or the separate Fronius Datamanager Box 2.0 can be operated with the following DATCOM components:

- up to 100 x Fronius inverters  
(incl. the inverter in which Fronius Datamanager 2.0 is installed)
- up to 10 x Fronius Sensor Card or Fronius Sensor Box
- up to 10 x Fronius Public Display Card or Fronius Public Display Box
- up to 1 x Fronius Interface Card or Fronius Interface Box
- up to 200 x Fronius String Control

---

**Prerequisites for operation**

In order to ensure flawless data exchange online, a suitable internet connection is required:

- For cabled internet solutions, Fronius recommends a download speed of at least 512 kbit/s and an upload speed of at least 256 kbit/s.
- For solutions with mobile internet services, Fronius recommends a minimum transmission standard of 3G with reliable signal strength.

These specifications do not provide an absolute guarantee of flawless operation. High error rates in the transmission, reception fluctuations, or connection dropouts can have an adverse effect on Fronius Datamanager 2.0's online operation. Fronius recommends on-site testing to ensure that the connections meet the minimum requirements.

For operation with an antenna extension.

If you want to connect your inverter(s) to the internet using WLAN, we recommend the following approach:

- Test your signal strength in the exact position where the inverter is to be installed and make sure the Datamanager 2.0 card is activated.
- Connect to the WLAN network using a smartphone, laptop, or tablet, and test the connection.  
The free website "[www.speedtest.net](http://www.speedtest.net)" can be used to check whether the connection meets our recommended download speed of at least 512 kbit/s and an upload speed of 256 kbit/s.

Since the Fronius Datamanager 2.0 acts as a datalogger, no other datalogger may be present in the Fronius Solar Net ring.

There must only be one Fronius Datamanager 2.0 for each Fronius Solar Net ring. The Fronius Datamanager 2.0 must be in secondary mode if installed in Fronius Galvo and Fronius Symo inverters.

The following DATCOM components must not be operated together with Fronius Datamanager 2.0 in a Fronius Solar Net ring:

- Fronius Power Control Card/Box
- Fronius Modbus Card
- Fronius Datalogger Web
- Fronius Personal Display DL Box
- Fronius Datalogger easy/pro
- Fronius Datamanager
- Fronius Datamanager 2.0 Box

To use the Fronius Datamanager 2.0

- the plug-in card must be installed in an inverter,  
or
- there must be a Fronius Datamanager Box 2.0 in the Fronius Solar Net ring.

The Fronius Datamanager 2.0 plug-in card and the Fronius Com Card must not be used together in one inverter.

---

**Inverter software required**

Fronius Datamanager 2.0 requires the following inverter software versions for its operation:

<b>Inverter</b>	<b>required software version according to display (MainControl)</b>
Fronius IG 15–60	V2.9.4 or higher

---

<b>Inverter</b>	<b>required software version according to display (MainControl)</b>
Fronius IG 2000–5100	starting from series no 19153444
Fronius IG 300–500	V3.6.4.0 or higher
Fronius IG Plus 35–150	V4.22.00 or higher
Fronius IG TL *	-
Fronius CL	V4.22.00 or higher
Fronius Agilo *	-
Fronius Agilo Outdoor *	-
Fronius Agilo TL *	-
Fronius Galvo	-
Fronius Symo	-
Fronius Symo Hybrid	-
Fronius Primo	-
Fronius Eco	-

\* Only in conjunction with Fronius Datamanager Box 2.0

The relevant inverter software version can be downloaded for free from our homepage (<http://www.fronius.com>).

If you have any questions, please contact [pv-support@fronius.com](mailto:pv-support@fronius.com).

---

**Notes regarding radio certification**

The Fronius Datamanager 2.0 plug-in card and Fronius Datamanager Box 2.0 are equipped with a wireless module.

Wireless modules in the USA require FCC certification:

**FCC**

This device conforms to the limit values for a Class B digital device, pursuant to Part 15 of the FCC regulations. These limits are designed to provide reasonable protection against harmful interference in a residential installation. This device generates and uses high frequency energy and, if not used in accordance with the instructions, may interfere with radio communications. However, there is no guarantee that interference will not occur in a particular installation.

If this device does cause harmful interference to radio or television reception, which can be determined by turning the device off and on, the user is encouraged to try to correct the interference by one or more of the following measures:

- Reorient or relocate the receiving antenna.
- Increase the distance between the device and the receiver.
- Connect the device to a different circuit than the receiver.
- Consult the dealer or an experienced radio/TV technician for help.

FCC ID: PV7-WIBEAR11N-DF1

**Industry Canada RSS**

This device complies with Industry Canada license-exempt RSS standards. Operation is subject to the following two conditions: (1) this device is not permitted to cause harmful interference, and (2) this device must accept any interference, including interference that may cause undesired operation of the device.

IC ID: 7738A-WB11NDF1

Unless otherwise expressly permitted by the manufacturer, changes or modifications to the wireless module are not allowed and lead to a loss of the right of use of the device by the user.

**Scope of Supply Fronius Datamanager 2.0 plug-in card**

- 1 x Fronius Datamanager 2.0 plug-in card
- 1 x Fronius Solar Net termination plug
- 1 x 16-pin plug
- 1 x FCC sticker label, three parts

Additional equipment depending on the inverter:

- 1 x antenna	Fronius Galvo
- 1 x Fronius Solar Net termination plug	Fronius Symo Fronius Primo
- 1 x antenna	Fronius IG
- 1 x 1 m RG58 antenna cable	Fronius IG Plus
- 1 x mounting bracket	Fronius IG Plus V
- 1 x double-sided adhesive tape	
- 1 x antenna	Fronius IG 300 - 500
- 1 x 3 m RG58 antenna cable	Fronius CL
- 1 x mounting bracket	Fronius CL - USA
- 1 x double-sided adhesive tape	

- |                                |                              |
|--------------------------------|------------------------------|
| - 1 x antenna                  | Fronius IG 2000 - 5100 - USA |
| - 1 x 0.4 m RG58 antenna cable | Fronius IG Plus - USA        |
| - 1 x 3/4 in. screw joint      | Fronius IG Plus V - USA      |
| - 1 x 3/4 in. hex nut          |                              |
| - 1 x 3/4 in. seal             |                              |

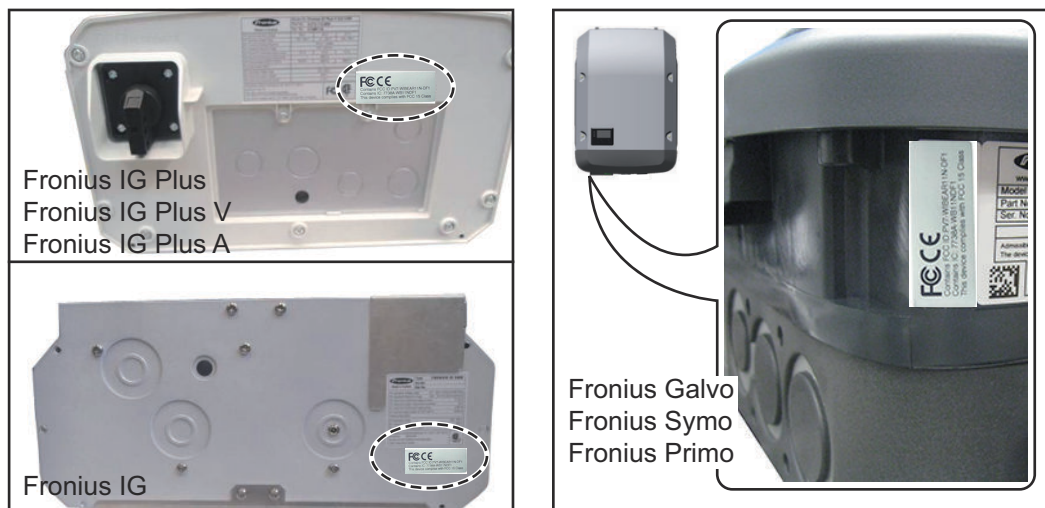
### Fronius Datamanager Box 2.0

- 1 x Fronius Datamanager Box 2.0 with wall bracket
- 2 x Fronius Solar Net termination plugs
- 1 x 16-pin plug
- 1 x antenna
- 1 x 3 m RG58 antenna cable
- 1 x mounting bracket
- 1 x double-sided adhesive tape
- 2 x installation anchors + screws
- 1 x "DATCOM Cabling" leaflet

### Using the Sticker Labels

**IMPORTANT!** If the three-part sticker label included in the scope of supply for the Datamanager 2.0 has not already been affixed to the inverter at the factory, this must be done now.

Position of the sticker label on the inverter:



For Fronius Galvo, Fronius Symo, and Fronius Primo inverters, the sticker label information is located on the rating plate.

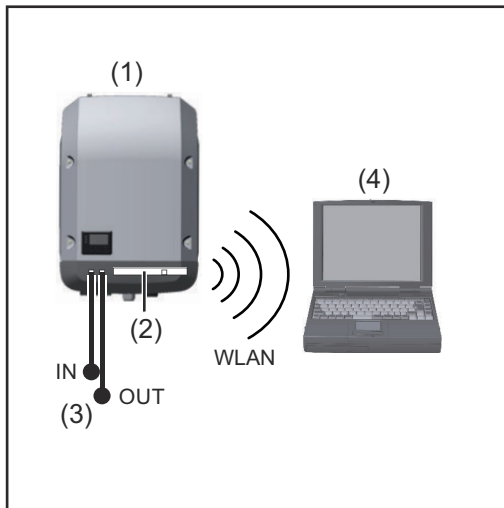
Using the sticker labels:



- (1) On the cardboard packaging of the inverter or the Fronius Datamanager 2.0
- (2) On the Fronius Datamanager 2.0 plug-in card
- (3) On the inverter

### Configuration Examples

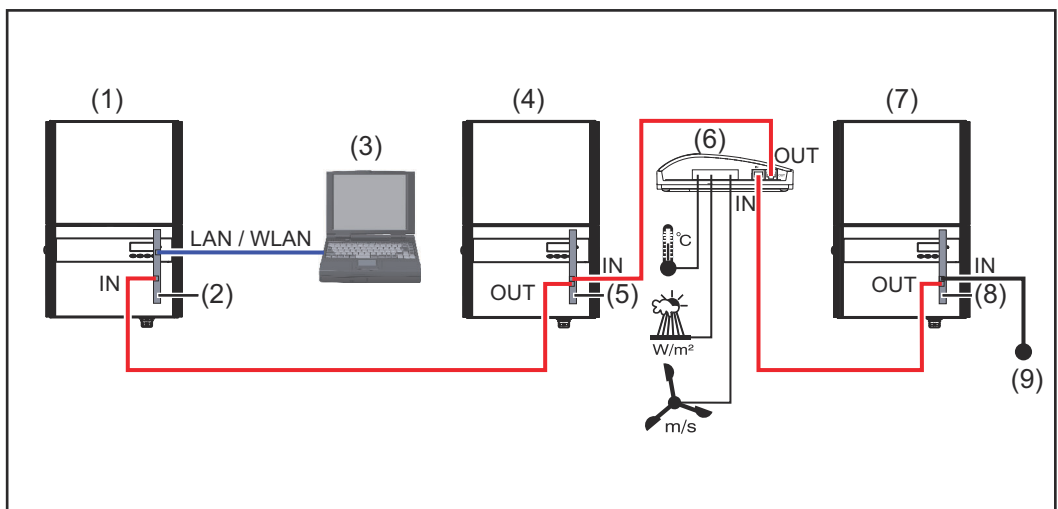
#### Linking Inverters with a Fronius Datamanager 2.0 Plug-in Card to a PC:



- (1) Inverter
- (2) Fronius Datamanager 2.0
- (3) Fronius Solar Net termination plug
- (4) PC/laptop

**IMPORTANT!** When linking an inverter with Fronius Datamanager 2.0 to a PC, one Fronius Solar Net termination plug must be connected at each free IN or OUT connection.

**Linking Inverters with a Fronius Datamanager 2.0 Plug-in Card to Other Inverters, a Fronius Sensor Box, and a PC:**



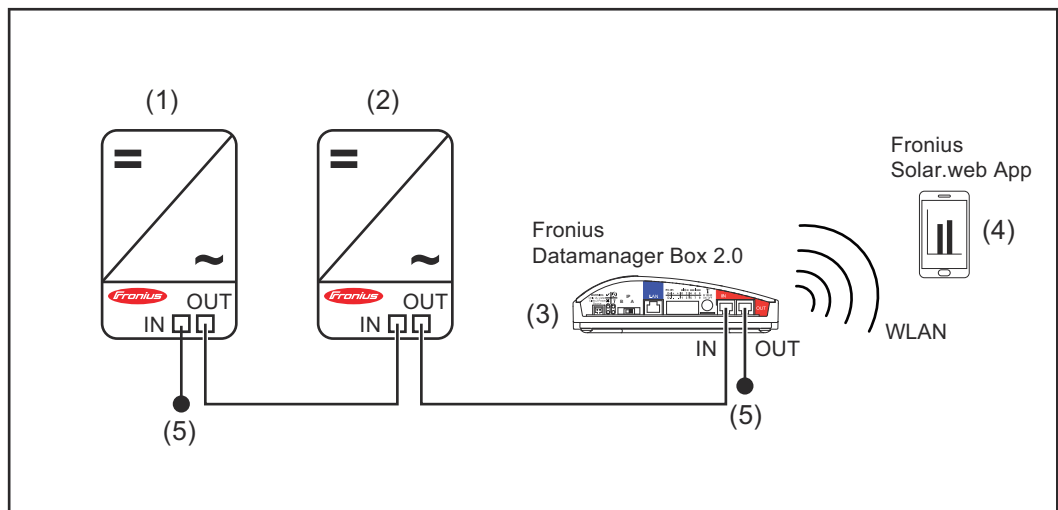
- (1) Inverter with
- (2) Fronius Datamanager 2.0
- (3) PC/laptop
- (4) Inverter with
- (5) Fronius Com Card
- (6) Fronius Sensor Box
- (7) Inverter
- (8) Fronius Com Card
- (9) Fronius Solar Net termination plug

When linking several DATCOM components to Fronius Datamanager 2.0: Use the data cable to connect the IN connection socket of Fronius Datamanager 2.0 with the OUT connection socket of the next DATCOM component. A Fronius Solar Net termination plug must be inserted into the empty IN connection socket of the last DATCOM component.

With the following inverters, the inverter with Fronius Datamanager 2.0 must always be connected either at the start or end of the data chain:

Fronius IG, Fronius IG Plus, Fronius IG Plus V, Fronius IG Plus A, Fronius CL, Fronius CL USA and Fronius IG 300–500.

**Linking Two Inverters with Fronius Com Card or Com Card Function to a Fronius Datamanager Box 2.0 and a Smartphone:**



- |     |   |     |                                       |
|-----|---|-----|---------------------------------------|
| (1) | Inverter with Fronius Com Card or Com Card function | (4) | Smartphone with Fronius Solar.web App |
| (2) | Inverter with Fronius Com Card or Com Card function | (5) | Fronius Solar Net termination plug    |
| (3) | Fronius Datamanager Box 2.0                         |     |                                       |

When linking several DATCOM components with a Fronius Datamanager Box 2.0, each of the DATCOM components must be cabled from the IN connection socket to the OUT connection socket of the next DATCOM component. Fronius Solar Net termination plugs must be inserted into empty IN or OUT connection sockets of the last DATCOM components.

# Calculating the data volume

## General

When operating Fronius Datamanager 2.0, data are generated and need to be transmitted via the internet.

In order to select a suitable internet connection, it is necessary to calculate the data volume.

## Calculating data volumes

The following information is used to calculate the data volume **per month** when operating the Fronius Datamanager 2.0.

Hourly upload	Up to firmware version 3.17	From firmware version 3.25.2 upwards
Total	8 MB	350 MB
+ for each additional Fronius inverter	5 MB	
+ for each additional Fronius Smart Meter	7 MB	

Daily/weekly upload (without night mode)	Up to firmware version 3.17	From firmware version 3.25.2 upwards
Total	307 kB	350 MB
+ for each additional Fronius inverter	520 kB	
+ for each additional Fronius Smart Meter	769 kB	

Daily/weekly upload (with night mode active)	Up to firmware version 3.17	From firmware version 3.25.2 upwards
Total	100 kB	350 MB
+ for each additional Fronius inverter	520 kB	
+ for each additional Fronius Smart Meter	769 kB	

Calculation of memory sectors per day according to chapter "Calculating memory capacity" on page [68](#).

The data volume may increase due to the following factors:

- Disconnections
- Restarting the inverter
- Firmware updates
- Remote control (VPP, Cloud Control)
- Fault diagnosis by technical support
- Remote system monitoring via Fronius Solar.web

**IMPORTANT!** Fronius recommends a flat rate to avoid costs for data volumes that were not taken into account in the preliminary calculation.



# General information for the network administrator

---

## Requirements

Configuring a network for Fronius Datamanager 2.0 requires knowledge of network technology.

If Fronius Datamanager 2.0 is being integrated into an existing network, the Fronius Datamanager 2.0 address must be adapted to the network.

Example: network address range = 192.168.1.x, subnet mask = 255.255.255.0

- An IP address between 192.168.1.1 and 192.168.1.254 must be assigned to Fronius Datamanager 2.0.
- The IP address selected may not be already assigned in the network.
- The subnet mask must correspond to the existing network (e.g., 255.255.255.0).

If Fronius Datamanager 2.0 will be sending service messages and/or data to Fronius Solar.web, then a gateway address and a DNS server address must also be entered. Fronius Datamanager 2.0 uses the gateway address to access the internet. The IP address of the DSL router can be used as a gateway address, for example.

### **IMPORTANT!**

- Fronius Datamanager 2.0 may not have the same IP address as the PC/laptop!
- Fronius Datamanager 2.0 cannot connect itself to the internet. A router must be used for a DSL connection to the internet.

---

## General Firewall Settings

DSL routers mostly enable you to send data to the internet and, therefore, do not normally have to be configured.

### **Server addresses for data transfer**

If a firewall is used for outgoing connections, the following protocols, server addresses and ports must be allowed for successful data transfer:

- Tcp fronius-se-iot-dm-1.azure.devices.net:8883
- Tcp fronius-se-iot-dm-1.azure.devices.net:443
- Tcp fronius-se-iot-dm-2.azure.devices.net:8883
- Tcp fronius-se-iot-dm-2.azure.devices.net:443
- Tcp fronius-se-iot-dm-1.telemetry.azure.devices.net:8883
- Tcp fronius-se-iot-dm-1.telemetry.azure.devices.net:443
- Tcp fronius-se-iot-dm-2.telemetry.azure.devices.net:8883
- Tcp fronius-se-iot-dm-2.telemetry.azure.devices.net:443
- Fdmp-solarweb.com:49049 (dm local port 54321)
- Tcp http://www3.fronius.com:80
- Tcp http://firmware-download.fronius.com:80
- Tcp ftp://transfer.fronius.com:21
- Tcp provisioning-lite.solarweb.com:443
- Tcp froniusseiot.blob.core.windows.net:443
- Upd/Tcp 0.time.fronius.com:123

If existing firewall rules block the connection to the Fronius system monitoring, the following firewall rules must be added:

	49049/UDP	80/TCP *)
	output	input
Sending service messages	x	-
Connecting to Datamanager via Fronius Solar.web	x	-
Connecting to Datamanager via Fronius Solar.access or Fronius Solar.Service	-	x
Accessing the Datamanager website	-	x

Configure the firewall so that the IP address of Fronius system monitoring can send data to port 49049/UDP from "fdmp.solarweb.com".

\*) We recommend only allowing access to the web interface of the Fronius system monitoring from a secure network. If access via the internet is absolutely necessary (e.g. for service purposes during a limited time period), configure the network router so that requests for any external port are redirected to port 80/TCP. Caution - this will make the inverter visible on the internet and more likely to be subject to network attacks.

---

### **Sending Service Messages via a DSL Internet Connection**

Normally, no additional router configuration is required for a regular DSL internet connection to access Fronius Solar.web and/or send service messages, because connections from the LAN to the internet are open.

---

### **Using Fronius Solar.web and Sending Service Messages**

However, an internet connection is required to use Fronius Solar.web and send service messages.

Fronius Datamanager 2.0 cannot connect itself to the internet. A router must be used for a DSL connection to the internet.

# Controls, connections and indicators

---

## Safety



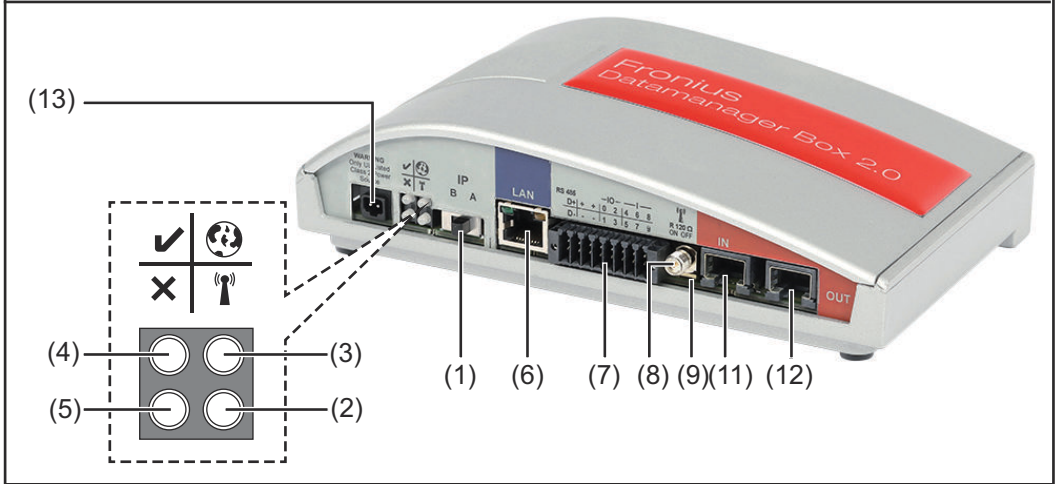
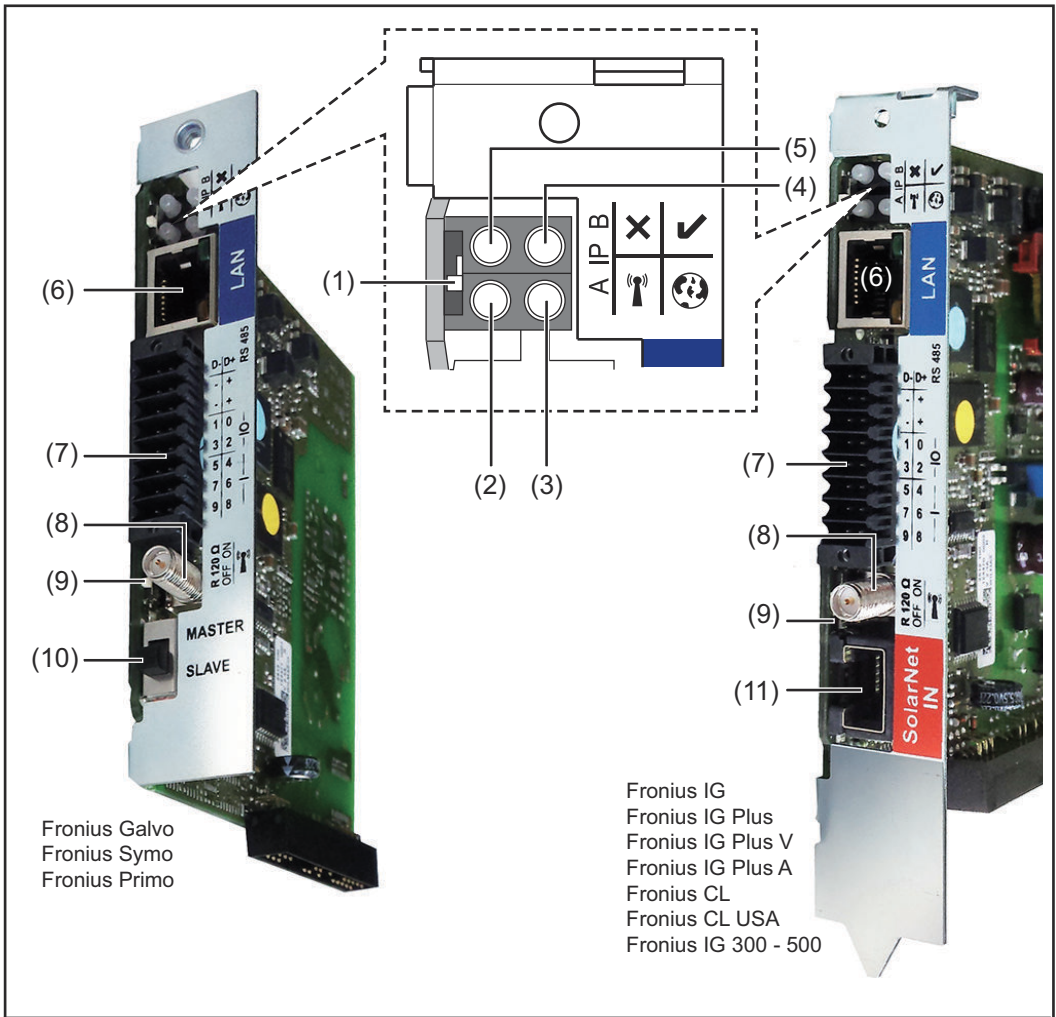
### **WARNING!**

#### **Danger due to incorrect operation.**

This can result in severe personal injury and damage to property.

- ▶ Do not use the functions described here until you have fully read and understood the Operating Instructions.
  - ▶ Do not use the functions described here until you have fully read and understood all of the Operating Instructions of the system components, especially the safety rules.
-

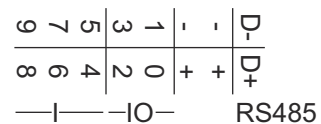
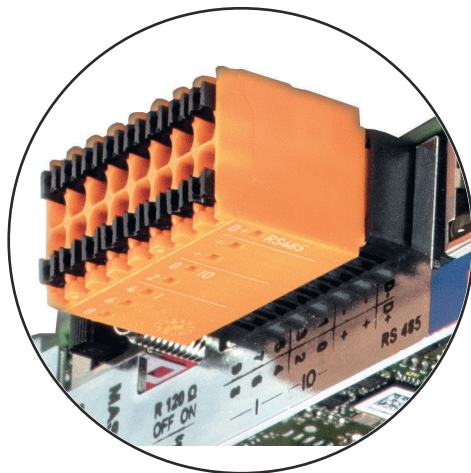
**Controls, connections, and indicators**



No.	Function
(1)	<b>IP switch</b> For changing the IP address:

No.	Function
A	<p data-bbox="504 185 1254 224">Specified IP address and opening the WLAN access point</p> <p data-bbox="504 253 1366 315">The Fronius Datamanager 2.0 uses fixed IP address 169.254.0.180 for a direct connection to a PC via LAN.</p> <p data-bbox="504 344 1358 407">If the IP switch is set to position A, an access point for a direct WLAN connection to the Fronius Datamanager 2.0 is also opened.</p> <p data-bbox="504 436 1023 539">Access data for this access point: Network name: FRONIUS_240.XXXXXX Key: 12345678</p> <p data-bbox="504 568 1326 696">The Fronius Datamanager 2.0 can be accessed: - via DNS name "http://datamanager" - via IP address 169.254.0.180 for the LAN interface - via IP address 192.168.250.181 for the WLAN access point</p>
B	<p data-bbox="504 750 775 788">Assigned IP address:</p> <p data-bbox="504 817 1385 880">The Fronius Datamanager 2.0 works with an assigned IP address dynamic host configuration protocol (DHCP)</p> <p data-bbox="504 909 1377 947">The IP address can be set on the Fronius Datamanager 2.0 website.</p> <p data-bbox="504 976 1390 1070">In the case of the Fronius Datamanager 2.0 plug-in cards, the IP switch is located underneath the LEDs and is separate in the case of the Fronius Datamanager Box 2.0.</p>
<b>(2)</b>	<p data-bbox="504 1081 655 1120"><b>WLAN LED</b></p> <ul data-bbox="504 1120 1390 1503" style="list-style-type: none"> <li>- Flashes green: the Fronius Datamanager 2.0 is in service mode (IP switch on the Fronius Datamanager 2.0 plug-in card is set to position A or service mode was activated via the inverter display, the WLAN access point is opened)</li> <li>- Lights up green: there is an existing WLAN connection</li> <li>- Flashes green/red alternately: the length of time for which the WLAN access point is open after activation (1 hour) has been exceeded</li> <li>- Lights up red: there is no existing WLAN connection</li> <li>- Flashes red: faulty WLAN connection</li> <li>- Does not light up: the Fronius Datamanager 2.0 is in secondary mode</li> </ul>
<b>(3)</b>	<p data-bbox="504 1514 852 1552"><b>Solar.web LED connection</b></p> <ul data-bbox="504 1552 1366 1740" style="list-style-type: none"> <li>- Lights up green: there is an existing connection to Fronius Solar.web</li> <li>- Lights up red: there is no existing connection to Fronius Solar.web, but one is required</li> <li>- Does not light up: no connection to Fronius Solar.web is required</li> </ul>

No.	Function
(4)	<p><b>Power supply LED</b> ✓</p> <ul style="list-style-type: none"> <li>- Lights up green: sufficient power supply from Fronius Solar Net; the Fronius Datamanager 2.0 is ready for operation.</li> <li>- Does not light up: no power or insufficient power supply from Fronius Solar Net - an external power supply is required or the Fronius Datamanager 2.0 is in secondary mode</li> <li>- Flashes red: during an update process</li> </ul> <p><b>IMPORTANT!</b> Do not interrupt the power supply during an update process.</p> <ul style="list-style-type: none"> <li>- Lights up red: update process failed</li> </ul>
(5)	<p><b>Connection LED</b> ✕</p> <ul style="list-style-type: none"> <li>- Lights up green: there is an active connection within Fronius Solar Net</li> <li>- Lights up red: there is an interrupted connection within Fronius Solar Net</li> <li>- Does not light up: the Fronius Datamanager 2.0 is in secondary mode</li> </ul>
(6)	<p><b>LAN Connection</b></p> <p>Ethernet interface with blue color marking for connecting the Ethernet cable</p>
(7)	<p><b>I/Os</b></p> <p>Digital inputs and outputs</p>



**Modbus RTU 2-wire (RS485):**

- D- Modbus data -
- D+ Modbus data +

No.	Function
-----	----------

**Int./ext. power supply**

- GND
  - +  $U_{int}/U_{ext}$   
Output for internal voltage 10.8 V/12.8 V  
or  
Input for an external supply voltage  
>12.8–24 V DC (+ 20%)
- 10.8 V:  
Fronius IG, Fronius IG Plus, Fronius IG Plus V,  
Fronius IG Plus A, Fronius CL, Fronius CL USA,  
Fronius IG 300–500
- 12.8 V:  
Fronius Galvo, Fronius Symo

**Digital inputs:** 0 - 3, 4 - 9

Voltage level: low = min. 0 V - max. 1.8 V; high = min. 3 V - max. 24 V DC (+ 20%)  
Input currents: dependent on input voltage; input resistance = 46 kOhm

**Digital outputs:** 0–3

Switching capacity when supplied by the Fronius Datamanager 2.0 plug-in card: 3.2 W, 10.8/12.8 V in total for all four digital outputs

10.8 V:  
Fronius IG, Fronius IG Plus, Fronius IG Plus V, Fronius IG Plus A,  
Fronius CL, Fronius CL USA, Fronius IG 300–500

12.8 V:  
Fronius Galvo, Fronius Symo

Switching capacity when supplied by an external power supply with min. 12.8 - max. 24 V DC (+ 20%), connected to  $U_{int}/U_{ext}$  and GND: 1 A, 12.8 - 24 V DC (depending on the external power supply) per digital output


---

The connection to the I/Os is made via the supplied mating connector.

**(8) Antenna plug**

For screwing on the WLAN antenna or WLAN antenna extension cable, depending on the inverter

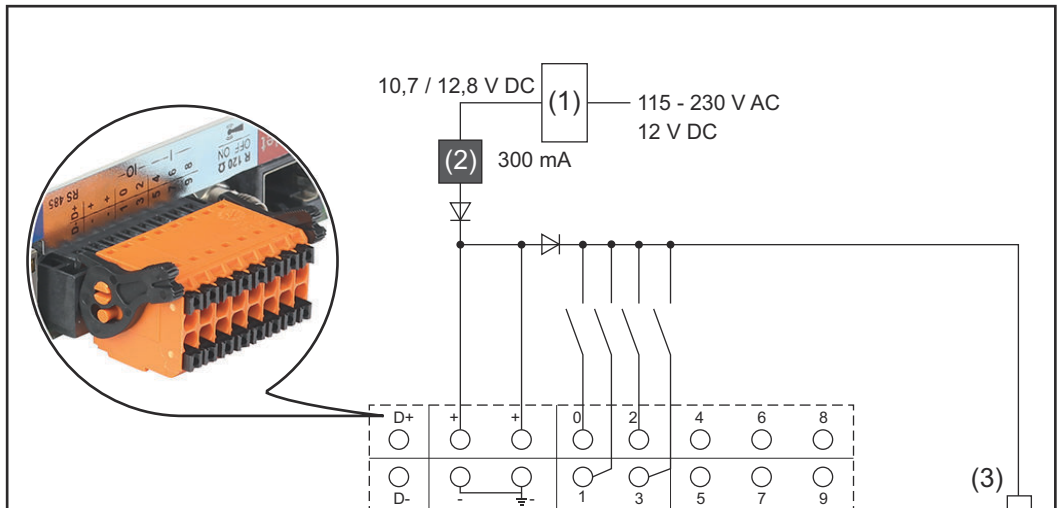
---

No.	Function
(9)	<p><b>Modbus termination switch (for Modbus RTU)</b> Internal bus termination with 120 ohm resistance (yes/no)</p> <p>Switch in "on" position: Termination resistance of 120 Ohm active Switch in "off" position: No termination resistance active</p>  <p><b>IMPORTANT!</b> The termination resistance must be active for the first and last device in an RS485 bus.</p>
(10)	<p><b>Fronius Solar Net primary/secondary switch</b> For switching between primary and secondary mode within a Fronius Solar Net ring</p> <p><b>IMPORTANT!</b> All LEDs on the Fronius Datamanager 2.0 plug-in card are off in secondary mode.</p>
(11)	<p><b>Fronius Solar Net IN connection socket</b> Fronius Solar Net input with red color marking for connecting to other DATCOM components (e.g., inverters, sensor cards)</p> <p>For the Fronius Datamanager 2.0 with Fronius Com Card function only! (for Fronius IG, Fronius IG Plus, Fronius IG Plus V, Fronius IG Plus A, Fronius CL, Fronius CL USA, Fronius IG 300–500 inverters)</p>
(12)	<p><b>Fronius Solar Net OUT connection socket</b> Fronius Solar Net output with red color marking for connecting other DATCOM components (e.g., inverters, sensor cards, etc.)</p> <p>For the Fronius Datamanager Box 2.0 only!</p>
(13)	<p><b>External power supply connection</b> For connecting an external power supply when the power supply within Fronius Solar Net is insufficient (e.g., when too many DATCOM components are installed in Fronius Solar Net).</p> <p><b>IMPORTANT!</b> The external power supply unit for the Fronius Datamanager Box 2.0 must be securely disconnected from components supplying grid voltage (SELV or Class 2 for USA/Canada). The output power of the power supply unit may not exceed a max. of 15 VA/1.25 A. If the power supply is sufficient, the Supply LED (4) lights up green. For an external power supply, use only the Fronius power supply unit!</p> <p>For the Fronius Datamanager Box 2.0 only!</p>

**Schematic Connection of I/Os**

**Supply via the Fronius Datamanager 2.0 plug-in card:**





- (1) Power supply  
(for Fronius Datamanager 2.0 with Fronius Com Card function only)
- (2) Current limit
- (3) Solar Net IN connection socket

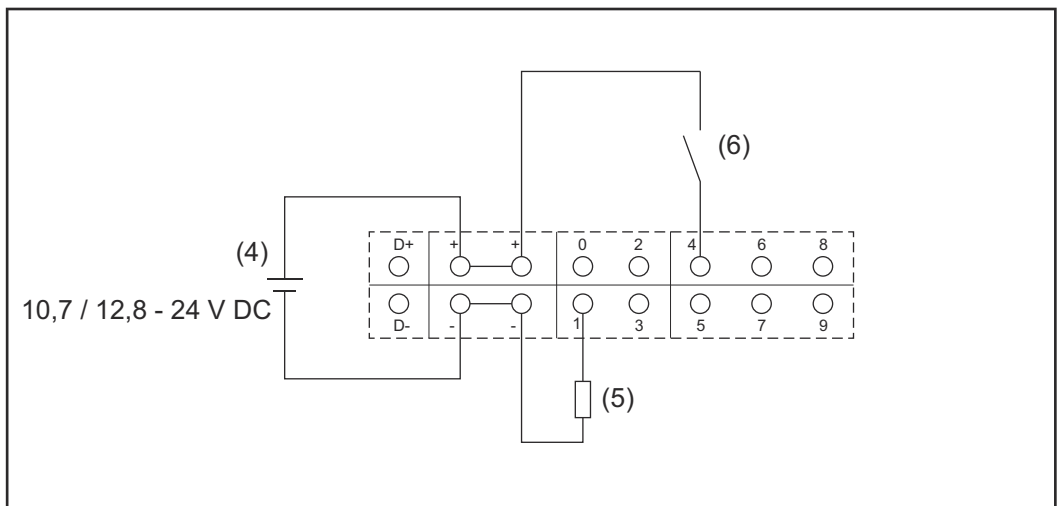
115–230 V AC:

Fronius IG, Fronius IG Plus, Fronius IG Plus V, Fronius IG Plus A, Fronius CL, Fronius CL USA, Fronius IG 300 - 500

12.8 V DC:

Fronius Galvo, Fronius Symo, Fronius Primo

**Supply via external power supply:**



- (4) External power supply
- (5) Load
- (6) Switch

When the supply is via an external power supply, the external power supply must be galvanically isolated.

10.7 V DC:

Fronius IG, Fronius IG Plus, Fronius IG Plus V, Fronius IG Plus A, Fronius CL, Fronius CL USA, Fronius IG 300 - 500

12.8 V DC:  
Fronius Galvo, Fronius Symo, Fronius Primo

# Technical data

<b>Technical data</b>	Memory capacity	up to 4096 days
	Supply voltage with Fronius Com Card function without Fronius Com Card function	115–230 V AC 12 V DC
	Energy consumption	< 2 W
	Dimensions	
	Plug-in card	132 x 103 x 22 mm 5.2 x 4.1 x 0.9 in.
	Box	190 x 114 x 53 mm 4.69 x 4.49 x 2.09 in.
	Degree of protection (box)	IP 20
	External power supply connection (box)	12 V DC, max. 1 A, Class 2
	Cable cross section for external power supply connection (box)	0.13–1.5 mm <sup>2</sup> AWG 16–24 (USA/Canada)
	Ethernet (LAN)	RJ 45, 100 Mbit
	WLAN	IEEE 802.11b/g/n client
	RS 422 (Fronius Solar Net)	RJ 45
	Ambient temperature	
	Plug-in card	-20–+65 °C -4–+149°F
	Box	0–50°C 32–122 °F
	Fronius Solar Net power	approx. 3 W max. 3 DATCOM components *
	I/O connection specifications	
	Voltage level of digital inputs	low = min. 0 V–max. 1.8 V high = min. 3 V–max. 24 V (+ 20%)
	Input currents of digital inputs	depending on the input voltage; input resistance = 46 kOhm
	Switching capacity of digital outputs when supplied by the Fronius Datamanager 2.0 plug-in card	3.2 W
	Fronius IG, Fronius IG Plus, Fronius IG Plus V, Fronius IG Plus A, Fronius CL, Fronius CL USA, Fronius IG 300– 500	10.8 V

Fronius Galvo, Fronius Symo, Fronius Primo	12.8 V in total for all four digital outputs (minus other Fronius Solar Net participants)
Switching capacity of digital outputs when supplied by an external power supply with min. 10.7 – max. 24 VDC	1 A, 10.7–24 V DC (depending on the external power supply) per digital output
Max. switchable inductive loads on the digital outputs	76 mJ (per output)
Modbus RTU	RS485 2-wire
Factory setting of RS485 interface:	
Speed	9600 baud
Data frame	1 start bit 8 data bits no parity 1 stop bit

- \* Given sufficient power supply from Fronius Solar Net, the green LED lights up on every DATCOM component.  
If the green LED does not light up, the power supply unit available from Fronius should be inserted into the 12 V power supply connection socket of an external DATCOM component.  
Check the cable and plug connections if necessary.

Examples of external DATCOM components: Fronius String Control, Fronius Sensor Box etc.

## WLAN

WLAN	
Frequency range	2412 - 2462 MHz
Channels / power used	Channel: 1-11 b,g,n HT20 Channel: 3-9 HT40 <18 dBm
Modulation	802.11b: DSSS (1Mbps DBPSK, 2Mbps DQPSK, 5.5/11Mbps CCK) 802.11g: OFDM (6/9Mbps BPSK, 12/18Mbps QPSK, 24/36Mbps 16-QAM, 48/54Mbps 64-QAM) 802.11n: OFDM (6.5 BPSK, QPSK, 16-QAM, 64-QAM)

# **Installing Fronius Datamanager 2.0**



# Inserting Fronius Datamanager 2.0 into an Inverter

## General

Please see the Operating Instructions for the respective inverter for information regarding plug-in card installation. Please note the safety and warning information in your inverter's Operating Instructions.

## Safety



### WARNING!

#### **Danger from grid voltage and DC voltage from solar modules.**

An electric shock can be fatal.

- ▶ The connection area should only be opened by an authorized electrician.
- ▶ The separate power stage set area should only be disconnected from the connection area after first being disconnected from the grid power.
- ▶ The separate power stage set area should only be opened by Fronius-trained service personnel.
- ▶ Before making any connections, make sure that the AC and DC sides in front of the inverter are not charged, e.g.:
- ▶ Switch off the AC automatic circuit breaker for the inverter
- ▶ Cover solar modules
- ▶ Please observe the 5 safety rules.



### WARNING!

#### **Danger of residual voltage from capacitors.**

An electric shock can be fatal.

- ▶ Wait until the capacitors have discharged.

Follow general ESD guidelines when handling plug-in cards.

## Fronius Datamanager 2.0 plug-in positions

The Fronius Datamanager 2.0 plug-in position is specified for each inverter type:

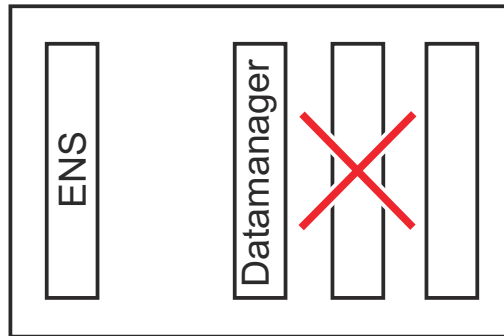
Inverter	Plug-in position
Fronius IG 15–60	ENS slot *)
Fronius IG 300–500	ENS slot *)
Fronius IG Plus, Fronius IG Plus V	on the far right, unless a ML-MON plug-in card is present
Fronius CL	on the far right, unless a ML-MON plug-in card is present
Fronius Galvo	does not matter
Fronius Symo	does not matter
Fronius Primo	does not matter

\*) If an ENS plug-in card is inserted in the ENS slot: insert the Fronius Datamanager 2.0 in the next slot to the right of the ENS slot.

**IMPORTANT!**

The next slot must be kept free.

Never remove an existing ENS plug-in card.





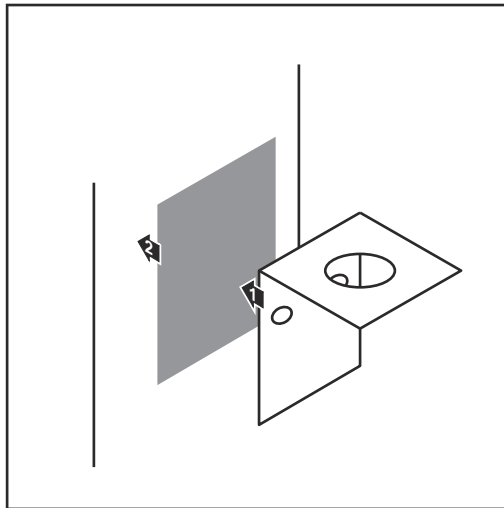
# Installing and connecting WLAN antennas

## General

Depending on the inverter the WLAN antenna must be either installed in the inverter or mounted to the outside of the inverter.

**IMPORTANT!** Always follow the relevant operating instructions when opening an inverter! Observe the safety rules!

## Fronius IG, Fronius IG Plus, Fronius IG Plus V, Fronius CL: Installing and Connecting Antennas

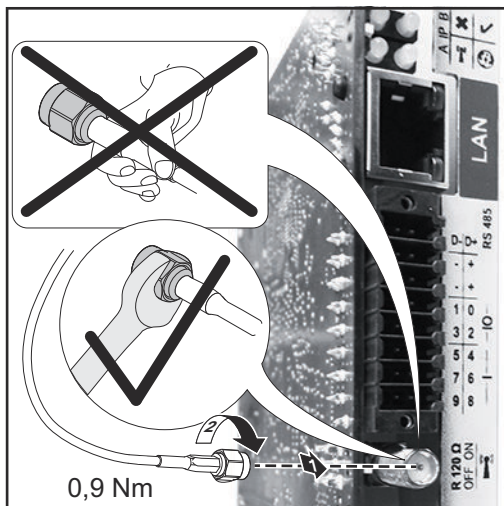


- 1 Use the double-sided adhesive tape to fasten the mounting bracket to the outside of the inverter housing or, if suitable for the antenna cable, secure it in a position near the inverter

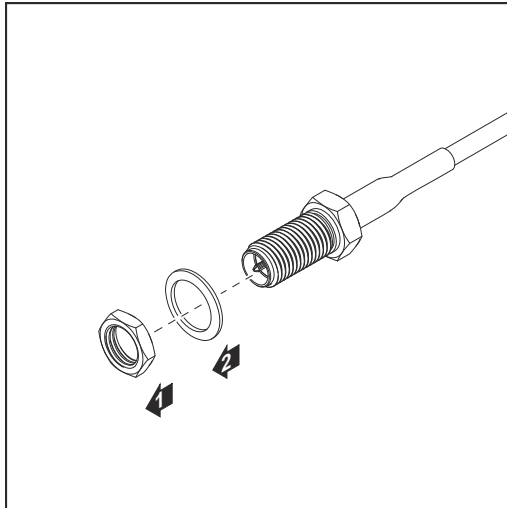
**IMPORTANT!** The double-sided adhesive tape only reaches its maximum bond strength after 24 hours.

**IMPORTANT!** The mounting bracket may not be screwed to the inverter housing.

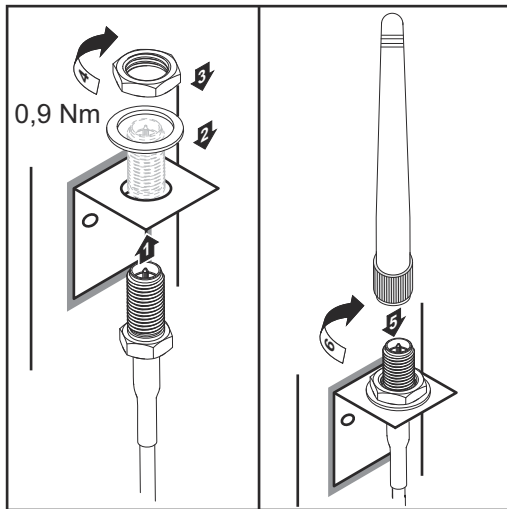
It may however be fitted in a nearby position. The relevant screws are not included in the scope of delivery and must be selected by the installer.



- 2 Connect the antenna cable to the antenna socket on the Fronius Datamanager 2.0 plug-in card
- 3 Run the antenna cable out through the DATCOM opening on the inverter
- 4 If possible, secure the cable with a strain relief device
- 5 Close or seal the DATCOM opening in accordance with the inverter operating instructions

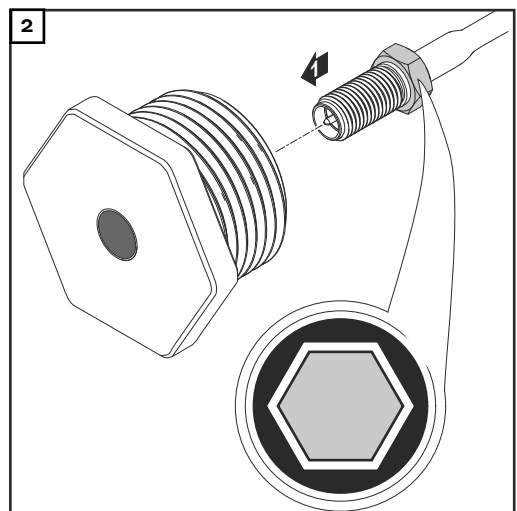
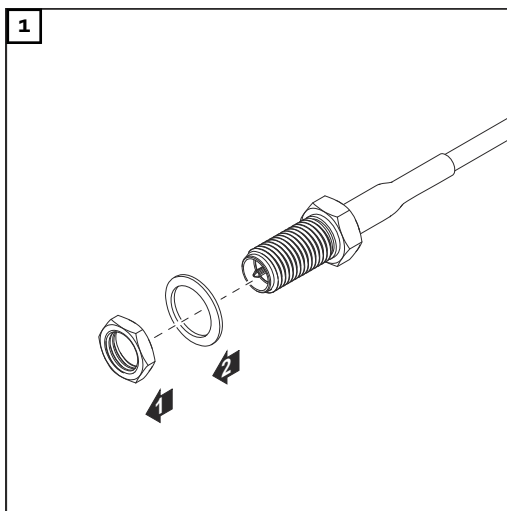


- 6 Remove the hex nut and washer from the outside thread of the antenna cable



- 7 Run the antenna cable through the drill hole on the mounting bracket
- 8 Attach the lock washer and screw on the hex nut
- 9 Screw on the antenna

**Fronius IG USA,  
Fronius IG Plus  
USA, Fronius IG  
Plus V USA: In-  
stalling and Con-  
necting Anten-  
nas**

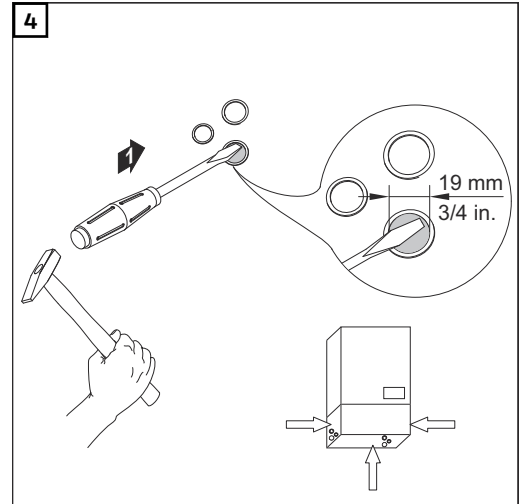
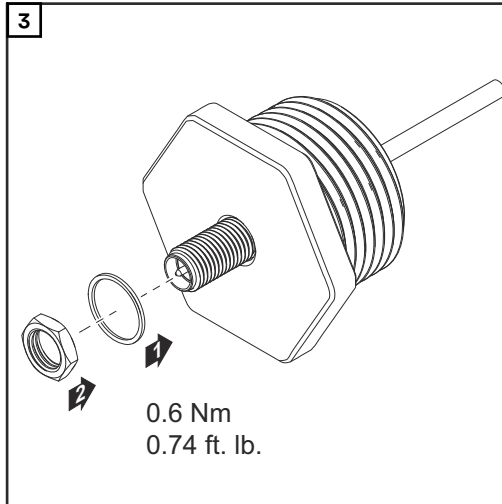


**⚠ CAUTION!**

**Danger of short circuit caused by loose metal parts from knockouts.**

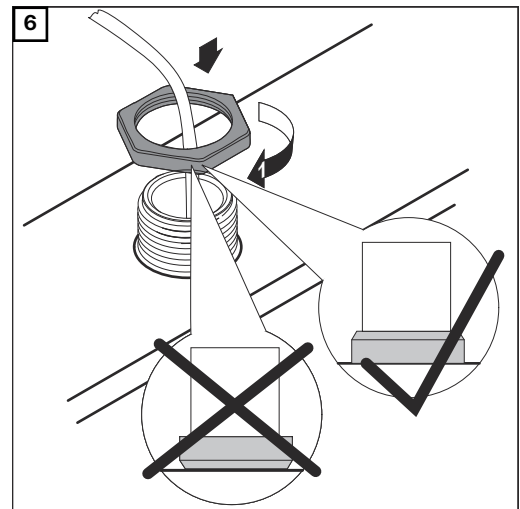
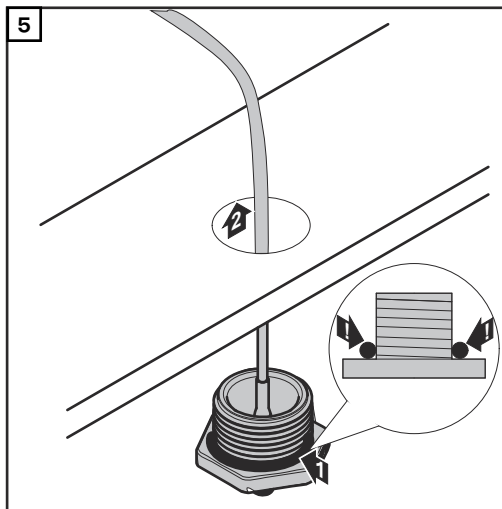
Loose metal parts in the inverter may cause short circuits when the inverter is powered up. When removing knockouts, make sure that

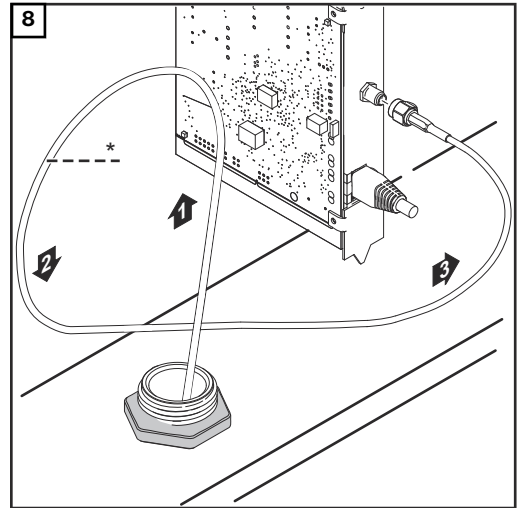
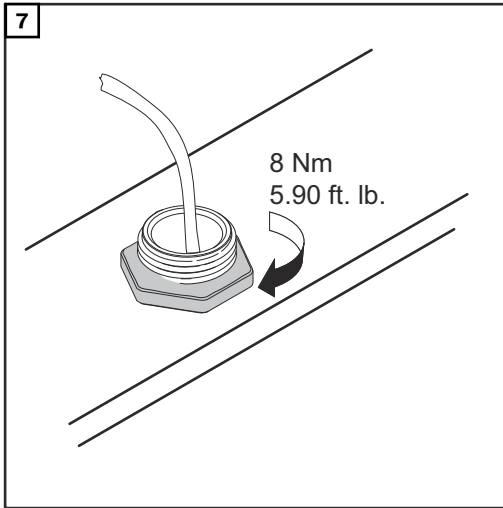
- ▶ no loose metal parts fall into the inverter,
- ▶ any metal pieces that do fall into the inverter are removed immediately.



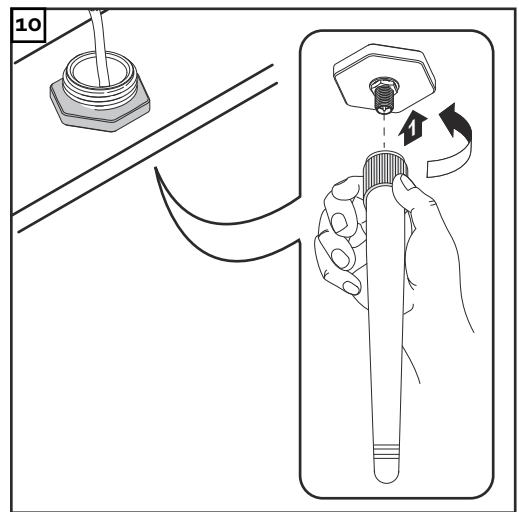
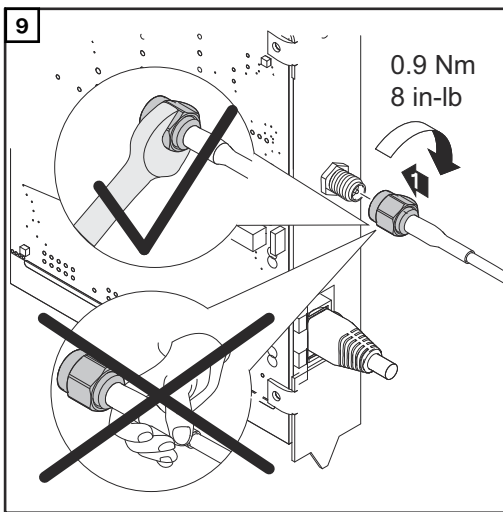
**NOTE!**

In order to ensure leak-tightness, the sealing ring must be fitted to the antenna screw joint before inserting the antenna screw joint into the inverter housing.





\*Bending radius of the antenna cable: at least 25.4 mm/1 in.



# Installing Fronius Datamanager 2.0 in Fronius Solar Net

## Safety

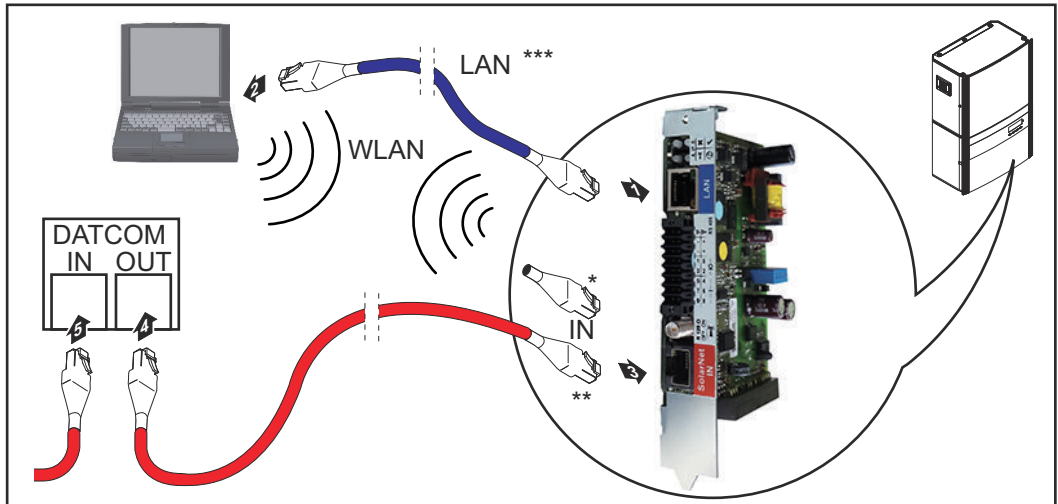
### CAUTION!

**DATCOM components and/or the PC/laptop may be seriously damaged if the Ethernet or Fronius Solar Net cables are connected incorrectly to the Fronius Datamanager 2.0**

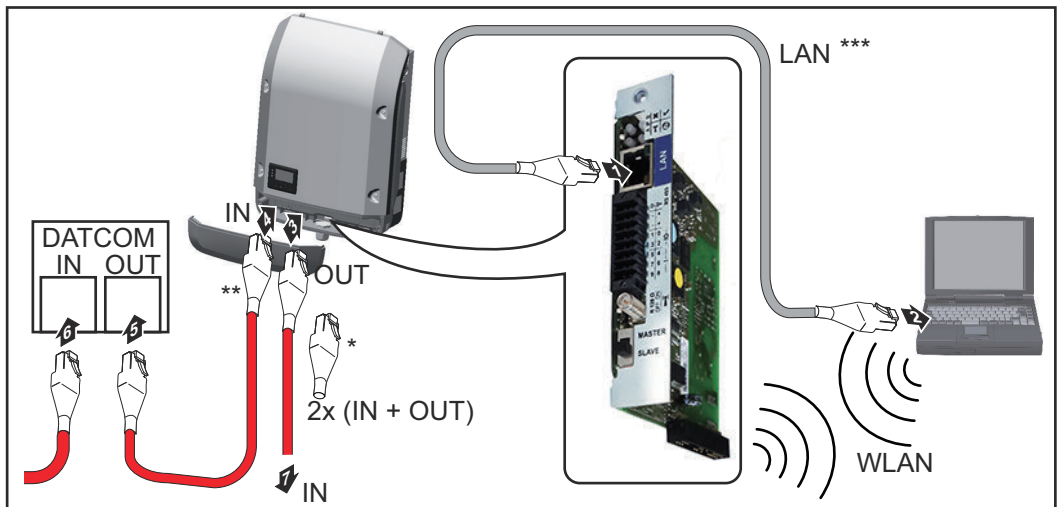
- ▶ The Ethernet cable should only be inserted into the LAN connection socket (colored blue).
- ▶ The Fronius Solar Net cable should only be inserted into the Fronius Solar Net IN connection socket (colored red).

## Installing Inverters with Fronius Datamanager 2.0 in Fronius Solar Net

**Fronius IG, Fronius IG Plus, Fronius IG Plus V, Fronius IG Plus A, Fronius CL, Fronius CL USA, Fronius IG 300–500:**



**Fronius Galvo, Fronius Symo, Fronius Primo:**



- \* Fronius Solar Net termination plug, if only one inverter with Fronius Datamanager 2.0 is linked to a PC
- \*\* Fronius Solar Net cable, if an inverter with Fronius Datamanager 2.0 is linked to a PC and other DATCOM components
- \*\*\* Ethernet cable is not included in the scope of supply for the Fronius Datamanager 2.0/Fronius Datamanager Box 2.0

Connection between Fronius Datamanager 2.0 and PC via LAN or WLAN

- 1 Insert and lay the Ethernet cable in the inverter like a data communication cable in accordance with the operating instructions for the inverter
- 2 Insert the Ethernet cable into the LAN connection socket
- 3 Insert the Ethernet cable into the PC/laptop or into a suitable network connection socket
- 4 If only one inverter with Fronius Datamanager 2.0 is linked to a PC:

Fronius IG, Fronius IG Plus, Fronius IG Plus V, Fronius IG Plus A, Fronius CL, Fronius CL USA, Fronius IG 300 - 500:  
 Insert the Fronius Solar Net termination plug into the Fronius Solar Net IN connection socket

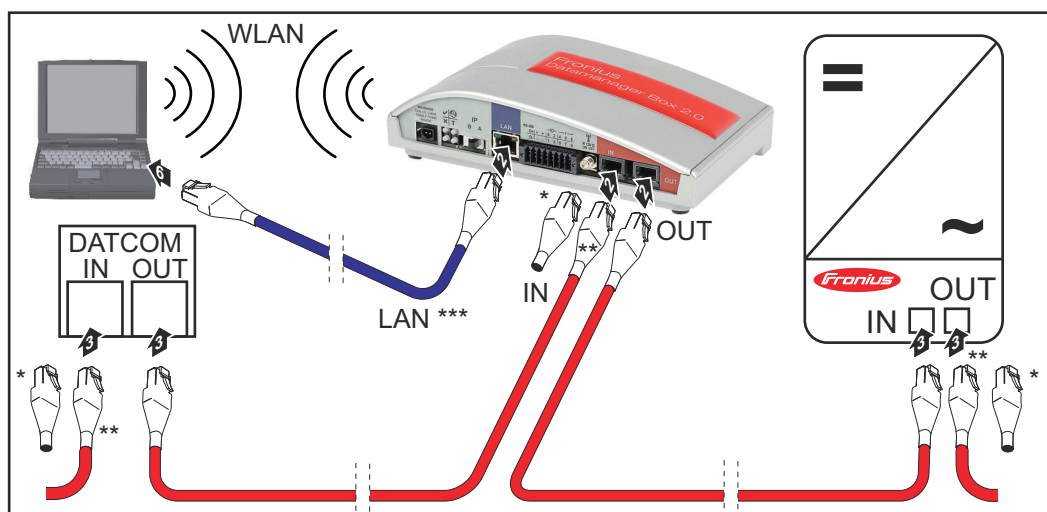
Fronius Galvo, Fronius Symo, Fronius Primo:  
 Insert a Fronius Solar Net termination plug into the Solar Net IN connection socket and the Solar Net OUT connection socket

If other DATCOM components are connected to the network, besides the inverter with Fronius Datamanager 2.0:  
 Insert the Fronius Solar Net cable into the Fronius Solar Net IN connection socket of the Fronius Datamanager 2.0

- 5 Connect the other DATCOM components

**IMPORTANT!** A Fronius Solar Net termination plug must be inserted into the empty IN connection socket of the last DATCOM component.

### Installing Fronius Datamanager Box 2.0 in Fronius Solar Net



- \* Fronius Solar Net termination plug for the last DATCOM component
- \*\* Fronius Solar Net cable, if a Fronius Datamanager Box 2.0 is linked to a PC and other DATCOM components

\*\*\* Ethernet cable is not included in the scope of supply for the Fronius Datamanager 2.0/Fronius Datamanager Box 2.0

Connection between Fronius Datamanager 2.0 and PC via LAN or WLAN

- 1 Insert the Ethernet cable into the LAN connection socket
- 2 Insert the Ethernet cable into the PC/laptop or into a suitable network connection socket
- 3 Insert the Fronius Solar Net cable into the Fronius Solar Net OUT connection socket of the Fronius Datamanager Box 2.0
- 4 Insert the Fronius Solar Net cable into the Fronius Solar Net IN connection socket of the inverter as per the inverter operating instructions
- 5 Connect the other DATCOM components

**IMPORTANT!** A Fronius Solar Net termination plug must be inserted into each empty IN or OUT connection socket of the last DATCOM components.

# Fronius Solar Net Cabling

**Fronius Solar Net clients** Inverters with Fronius Datamanager, Fronius Com Card, DATCOM components with external housing, or other DATCOM components will hereinafter be referred to as Fronius Solar Net clients.

**Fronius Solar Net Client Cabling** The data connection for the Fronius Solar Net client is a 1:1 connection using 8-pin data cables and RJ-45 plugs. The overall line length in a Fronius Solar Net ring must not exceed 1000 m.

**Requirements for the Fronius Solar Net data cables** Shielded CAT5 (new) and CAT5e (old) cables compliant with ISO 11801 and EN 50173 must be used for the Fronius Solar Net client cabling. Other cables are not permitted.









**IMPORTANT!** Do not use ISO/IEC-11801 U/UTP cables!

Permitted cables:

- |         |          |         |
|---------|----------|---------|
| - S/STP | - F/FTP  | - F/UTP |
| - F/STP | - SF/FTP | - U/FTP |
| - S/FTP | - S/UTP  | - U/STP |

The shield must be crimped onto a CAT5-compatible shielded plug.

Due to the fact that the wires in Ethernet cables are twisted, you must make sure the twisted pairs of wires are assigned correctly for cabling in accordance with TIA/EIA-568B:

Fronius Solar Net contact	Pair no.	Color
1 +12 V	3	 white/orange line
2 GND	3	 orange / white line or orange
3 TX+ IN, RX+ OUT	2	 white/green line
4 RX+ IN, TX+ OUT	1	 blue / white line or blue
5 RX- IN, TX- OUT	1	 white/blue line
6 TX- IN, RX- OUT	2	 green/white line or green
7 GND	4	 white/brown line
8 +12 V	4	 brown / white line or brown

*Cabling compliant with TIA/EIA-568B*



- Make sure that the wires are assigned correctly.
- When setting up an independent ground connection (e.g., in patch panels), make sure that the shield is grounded on one side of the cable only.

The following structured cabling standards must generally be observed:

- EN 50173-1 for Europe
- ISO/IEC 11801:2002 internationally
- TIA/EIA 568 for North America

Rules for use of copper cables apply.

---

**Preassembled  
data cables**

The following preassembled data cables are available from Fronius:

- CAT5 cable 1 m ... 43,0004,2435
- CAT5 cable 20 m ... 43,0004,2434
- CAT5 cable 60 m ... 43,0004,2436

The cables listed above are 8-pin, 1:1 LAN network cables, shielded and twisted, including RJ 45 plugs.

**IMPORTANT!** Data cables are not UV resistant. They should be protected from sunlight when laid outdoors.

# Installing Fronius Datamanager 2.0 – Overview

## Safety

### **WARNING!**

#### **Danger due to incorrect operation.**

This can result in severe personal injury and damage to property.

- ▶ Do not use the functions described here until you have fully read and understood the Operating Instructions.
- ▶ Do not use the functions described here until you have fully read and understood all of the Operating Instructions of the system components, especially the safety rules.

Installing Fronius Datamanager 2.0 requires knowledge of network technology.

## Starting for the first time using the Fronius Solar.start app

The Fronius Solar.start app makes starting Fronius Datamanager 2.0 for the first time much easier. The Fronius Solar.start app is available from the relevant app store.



To start Fronius Datamanager 2.0 for the first time,

- the Fronius Datamanager 2.0 plug-in card must be installed in the inverter, or
- there must be a Fronius Datamanager Box 2.0 in the Fronius Solar Net ring.

**IMPORTANT!** To establish a connection to Fronius Datamanager 2.0, the end device in question (e.g., laptop, tablet) must be configured as follows:

- "Obtain an IP address automatically (DHCP)" must be activated

- 1** Connect the inverters with Fronius Datamanager 2.0 or Fronius Datamanager Box 2.0 in Fronius Solar Net

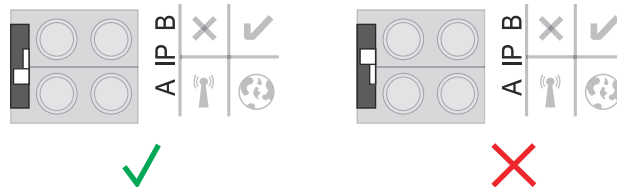
**IMPORTANT!** Inverters Fronius IG, Fronius IG Plus, Fronius IG Plus V, Fronius IG Plus A, Fronius CL, Fronius CL USA, and Fronius IG 300–500 must always be located at the beginning or end of the Fronius Solar Net ring.

- 2** For Fronius Galvo/Fronius Symo/Fronius Primo only and when linking multiple inverters in Fronius Solar Net:  
Set the Fronius Solar Net master/slave switch on the Fronius Datamanager 2.0 plug-in card as required
  - One inverter with Fronius Datamanager 2.0 = master
  - All other inverters with Fronius Datamanager 2.0 = slave (the LEDs on the Fronius Datamanager 2.0 plug-in cards are off)

**3** Switch the device to service mode

Inverter with Fronius Datamanager 2.0 plug-in card:

- Switch the IP switch on the Fronius Datamanager 2.0 plug-in card to position A



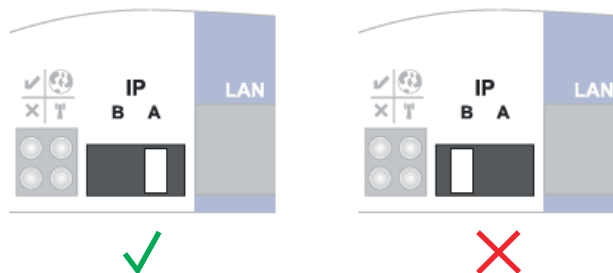
or

- Activate the WLAN access point via the Setup menu of the inverter (the performance of this function depends on the inverter software)



Fronius Datamanager Box 2.0:

- Switch the IP switch on the Fronius Datamanager Box 2.0 to position A



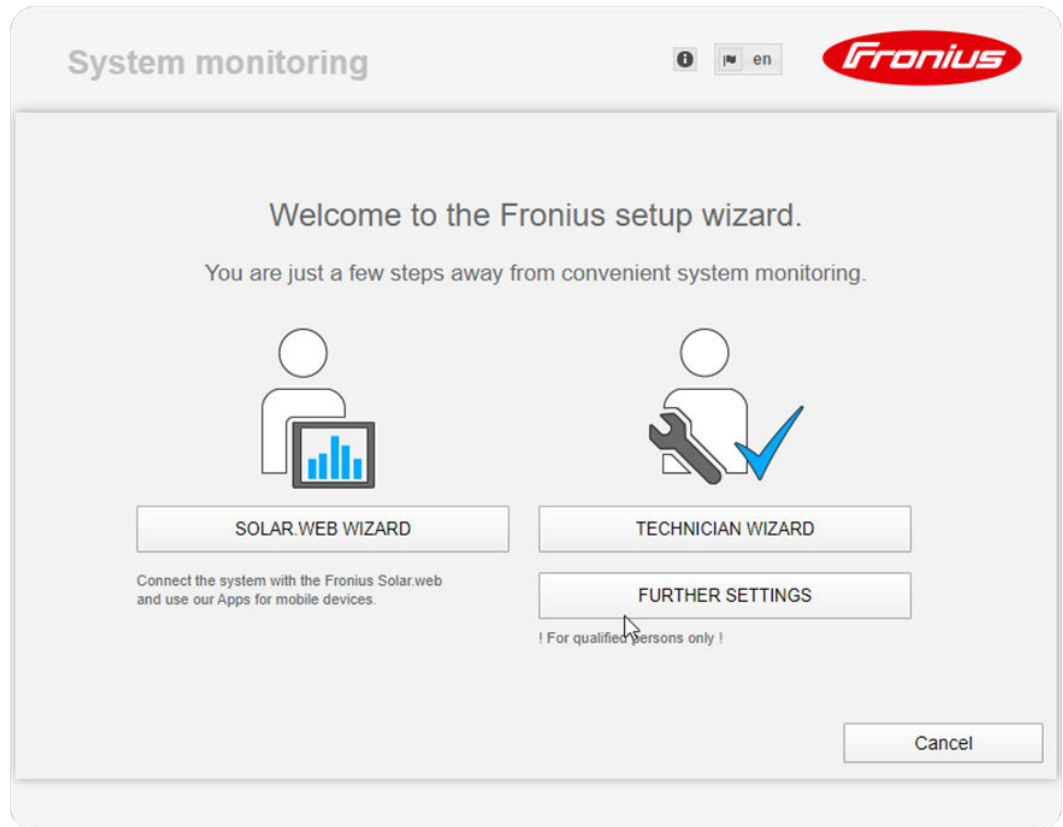
The inverter/Fronius Datamanager Box 2.0 establishes the WLAN Access Point. The WLAN Access Point stays open for one hour.

**4** Download Fronius Solar.start app



**5** Run Fronius Solar.start app

The start page of the Setup wizard appears.



The Technician Wizard is designed for the installer and includes standard-specific settings. **Running the Technician Wizard is optional.**

If the Technician Wizard is run, it is essential to note down the assigned service password. This service password is required to configure the DNO Editor and Meter menu items.

If the Technician Wizard is not run, no specifications for power reduction are set.

**The Solar.web Wizard must be run.**

**6** If necessary, run the Technician Wizard and follow the instructions

**7** Run the Solar.web Wizard and follow the instructions

The Fronius Solar.web start page appears.

or

The Fronius Datamanager 2.0 website opens.

### Starting for the First Time Using Web Browser

The Fronius Solar.start app makes starting Fronius Datamanager 2.0 for the first time much easier. The Fronius Solar.start app is available from the relevant app store.



To start Fronius Datamanager 2.0 for the first time,

- the Fronius Datamanager 2.0 plug-in card must be installed in the inverter, or
- there must be a Fronius Datamanager Box 2.0 in the Fronius Solar Net ring.

- IMPORTANT!** To establish a connection to Fronius Datamanager 2.0, the end device in question (e.g., laptop, tablet) must be configured as follows:
- "Obtain an IP address automatically (DHCP)" must be activated



**WARNING!**

**Danger from grid voltage and DC voltage from solar modules.**

An electric shock can be fatal.

- ▶ Before opening the inverter, wait until the capacitors have discharged.
  - ▶ Follow the Operating Instructions when opening the inverter.
  - ▶ Observe the safety rules and safety instructions contained in the inverter's Operating Instructions.
- 

- 1** Connect the inverters with Fronius Datamanager 2.0 or Fronius Datamanager Box 2.0 in Fronius Solar Net

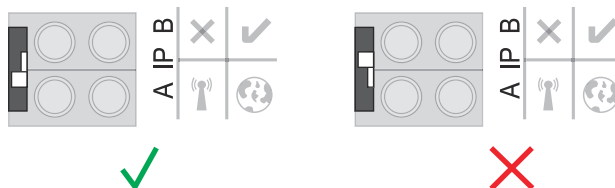
**IMPORTANT!** Inverters Fronius IG, Fronius IG Plus, Fronius IG Plus V, Fronius IG Plus A, Fronius CL, Fronius CL USA, and Fronius IG 300–500 must always be located at the beginning or end of the Fronius Solar Net ring.

- 2** For Fronius Galvo/Fronius Symo/Fronius Primo only and when linking multiple inverters in Fronius Solar Net:  
set the Fronius Solar Net primary/secondary switch on the Fronius Datamanager 2.0 plug-in card as required
- One inverter with Fronius Datamanager 2.0 = primary
  - All other inverters with Fronius Datamanager 2.0 = secondary (the LEDs on the Fronius Datamanager 2.0 plug-in cards are off)

**3** Switch the device to service mode

Inverter with Fronius Datamanager 2.0 plug-in card:

- Switch the IP switch on the Fronius Datamanager 2.0 plug-in card to position A



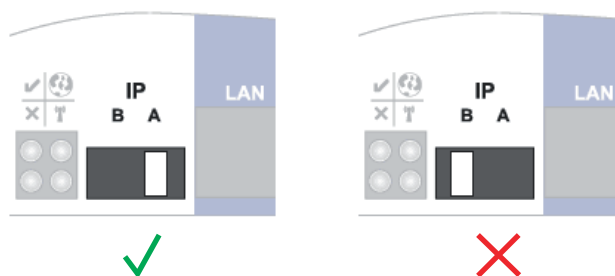
or

- Activate the WLAN access point via the Setup menu of the inverter (the performance of this function depends on the inverter software)



Fronius Datamanager Box 2.0:

- Switch the IP switch on the Fronius Datamanager Box 2.0 to position A



The inverter/Fronius Datamanager Box 2.0 establishes the WLAN Access Point. The WLAN Access Point stays open for one hour.

**4** Connect the end device to the WLAN access point

SSID = FRONIUS\_240.xxxxx (5–8 digits)

- Search for a network with the name "FRONIUS\_240.xxxxx"
- Establish a connection to this network
- Enter password from the inverter display

(or connect end device and inverter via Ethernet cable)

**5** Enter in the browser:

<http://datamanager>

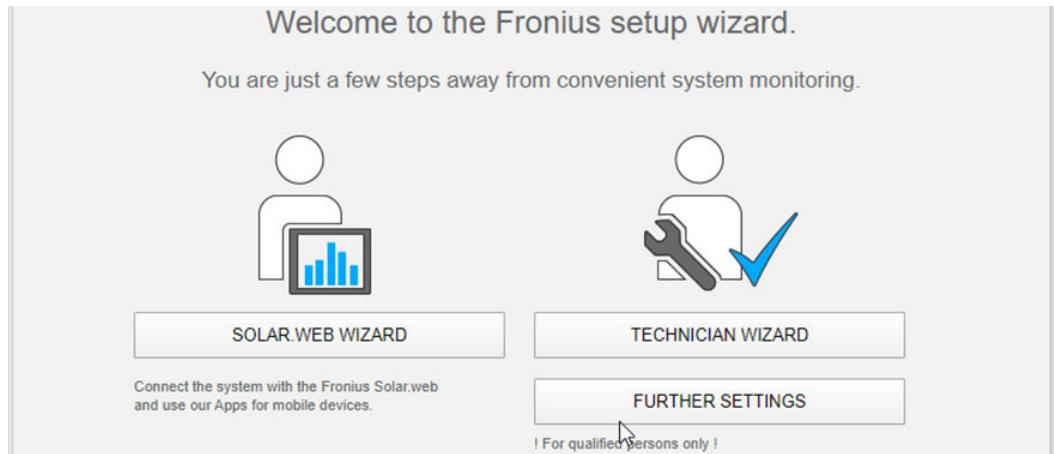
or

192.168.250.181 (IP address for WLAN connection)

or

169.254.0.180 (IP address for LAN connection)

The start page of the Setup wizard appears.



The Technician Wizard is designed for the installer and includes standard-specific settings.

If the Technician Wizard is run, it is essential to note down the assigned service password. This service password is required to configure the Electricity Retailer Editor and Meter menu items.

If the Technician Wizard is not run, no specifications for power reduction are set.

The Solar.web Wizard must be run.

**6** If necessary, run the Technician Wizard and follow the instructions

**7** Run the Solar.web Wizard and follow the instructions

The Fronius Solar.web start page appears.

or

The Fronius Datamanager 2.0 website opens.





# **Establishing a Connection to Fronius Datamanager 2.0**



# Connecting to Fronius Datamanager 2.0 via a Web Browser

## General

The connection to Fronius Datamanager 2.0 via a web browser is suitable for accessing current values with several PC users in a LAN (e.g., company networks, schools).

For example, total and daily yields can be accessed and/or inverter comparisons can be made on the Fronius Datamanager 2.0 website.

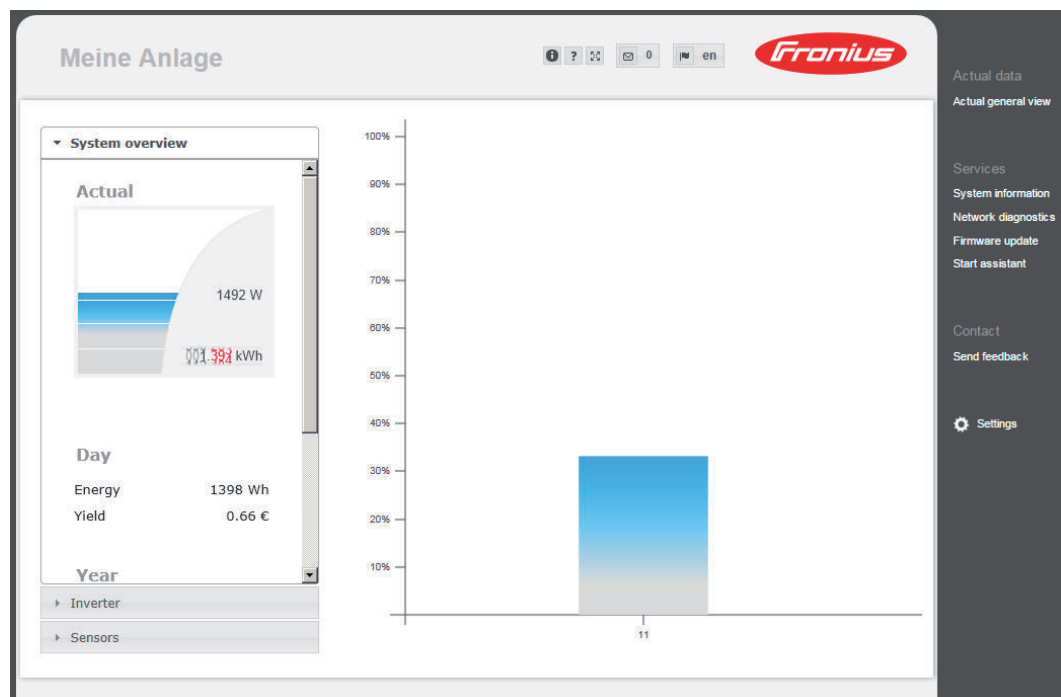
## Requirements

- At least a LAN or WLAN connection
- Web browser (e.g., Microsoft Internet Explorer IE  $\geq$  9.0, Firefox 4, Google Chrome 27.0)
- PC/laptop in the same network segment as Fronius Datamanager 2.0

## Establishing a Connection to Fronius Datamanager 2.0 via a Web Browser

- 1 Open the web browser
- 2 Enter the IP address or the host name and the domain name for Fronius Datamanager 2.0 in the address field

The Fronius Datamanager 2.0 website opens.



# Connecting to Fronius Datamanager 2.0 via the Internet and Fronius Solar.web

---

## General

By connecting to Fronius Datamanager 2.0 via the internet and Fronius Solar.web, you can access archived data and up-to-date photovoltaic system data online from anywhere in the world with internet access. You can also provide other users with guest access so that they can view your photovoltaic system, or you can make a comparison of several systems.

---

## Function Overview

Fronius Datamanager 2.0 is connected to the internet (e.g., via a DSL router). Fronius Datamanager 2.0 regularly logs on to Fronius Solar.web and sends its saved data every day. Fronius Solar.web can actively contact Fronius Datamanager 2.0, e.g., to display real-time data.

---

## Requirements

- Internet access
- Web browser

**IMPORTANT!** Fronius Datamanager 2.0 cannot connect itself to the internet. A router must be used for a DSL connection to the internet.

- Registration of photovoltaic system with Fronius Solar.web.
  - In order to access real-time data in Fronius Solar.web, the "Yes" selection option must be activated under "Send actual data to Fronius Solar.web" in Fronius Datamanager 2.0 in the settings under Solar.web.
  - In order to access archived data in Fronius Solar.web, the "Daily at" or "Hourly" selection option must be activated under "Send archive data to Fronius Solar.web" in Fronius Datamanager 2.0.
- 

## Accessing Data from Fronius Datamanager 2.0 via the Internet and Fronius Solar.web

To access real-time and archived data from Fronius Datamanager 2.0 using Fronius Solar.web:

- 1 Start Fronius Solar.web: <http://www.solarweb.com>

For more information about Fronius Solar.web, see the online help.

# **Current Data, Services, and Settings on Fronius Datamanager 2.0**

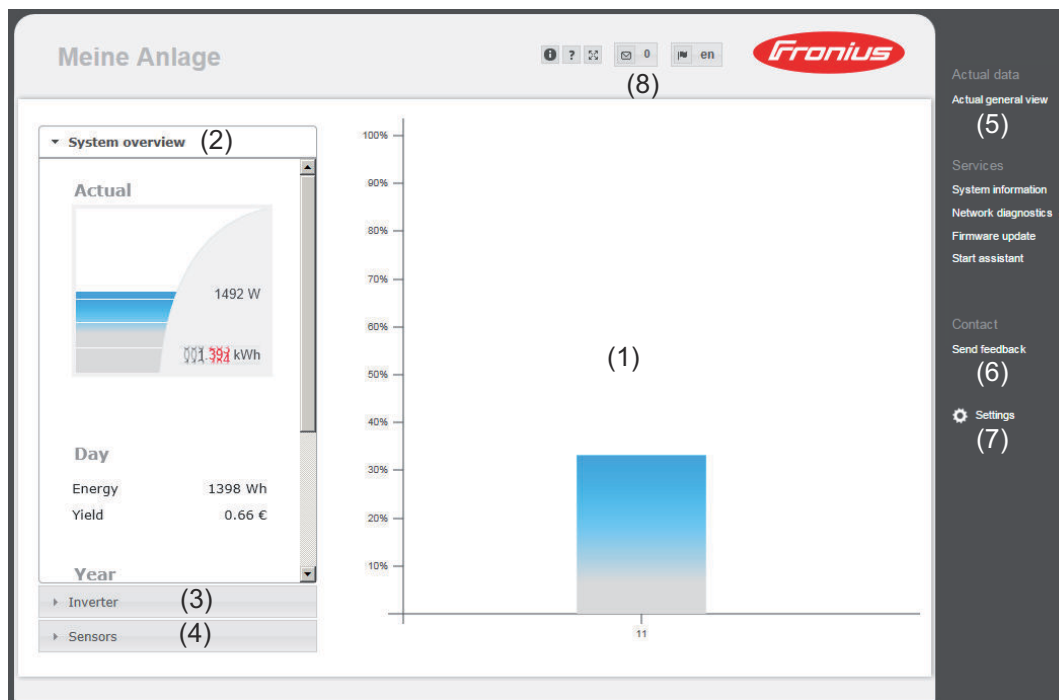


# The Fronius Datamanager 2.0 Website

## Fronius Datamanager 2.0 Website – Overview

The following data is displayed on the Fronius Datamanager 2.0 website:

- (1) Current comparison view of all inverters in the Fronius Solar Net ring
- (2) System overview: Current/Day/Year/Total
- (3) Inverter
- (4) Sensors
- (5) Services  
System information, Network diagnostics, Firmware update
- (6) Contact  
Send feedback
- (7) Settings menu
- (8) Other setting options



## Login

The setting options on the website of the Fronius Datamanager 2.0 depend on the user's authorization (see section [Settings – Passwords](#) on page 65).

### Log in with username and password:


- 1 Select the user to log in.
- 2 Enter the password for the selected user.
- 3 Click the **Login** button.

The user is logged in.

## Reset password

The **Forgot your password?** function in the login window can be used to reset the password for the selected user.

### Request unlock key and save new password:

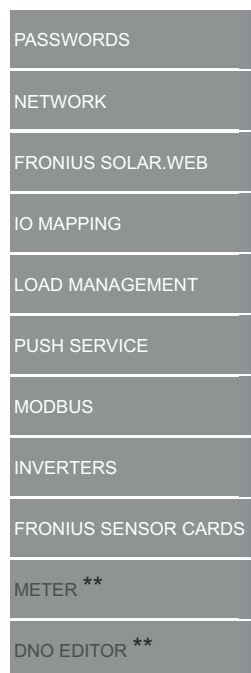
- 1 Select the user for which you want to reset the password.
- 2 Note the "Challenge" (six-digit number) and Datalogger ID (can be found under the  symbol, see section [Other setting options](#) on page 56).
- 3 Contact Fronius Technical Support and provide the "Challenge" and the Datalogger ID.
- 4 Enter the unlock key received from Fronius Technical Support in the **Key** input field.
- 5 Enter a new password in the **Password** and **Repeat password** input fields.
- 6 Click the **Save** button.

The new password is saved.

## The Settings menu

After clicking on "Settings," the Settings menu is opened on the Fronius Datamanager 2.0 website.  
Fronius Datamanager 2.0 is configured in the Settings menu.

### GENERAL \*



Menu items in Settings menu

### General adjustment and viewing of menu items

- 1 Establish a connection to Fronius Datamanager 2.0
- 2 Click on **Settings**
- 3 Log in with the username (admin or service) (see section [Login](#) on page 55)
- 4 Click on the desired menu item  
The desired menu item is opened.
- 5 View menu item or edit accordingly.
- 6 If present, click on the relevant button (e.g., Save, Synchronize)

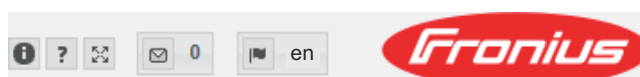
The amended data are applied.

\* Selected menu item

\*\* The Meter and DSO Editor menu items are protected by the service password.

## Other setting options

Other setting options are shown in the top right corner of the Fronius Datamanager 2.0 website:







System information:

Datalogger ID, software version, firmware update search, Solar Net connection, Solar.web connection



Help:

- Software Operating Instructions
- Fronius Solar Channel

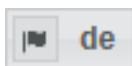


Expand contents:

The Real-time Data/Settings menu is hidden



Display notifications



Language:

Set the language

The Fronius Datamanager 2.0 website will appear in the language set for the browser itself or in the last selected language.

# Current Data in Fronius Datamanager 2.0

---

## Current Comparison View

Several inverters in the same photovoltaic system can be compared in the current Comparison View.

The real-time inverter AC power is displayed as a percentage of the power from the solar module connected to the respective inverter (shown in a bar diagram). A bar is displayed for each inverter. The bar color indicates the power range of the inverter:

- Blue: The inverter power corresponds to the average power of all inverters.
- Yellow: The inverter power deviates slightly from the average power of all inverters (50–90% from the average).
- Red: The inverter power deviates significantly from the average power of all inverters or an error has occurred in the inverter (< 50% from the average).

---

## System Overview

The system overview contains:

- the real-time power data of a photovoltaic system
- the active devices
- the energy generated per day, per year, and in total
- the yield per day, per year, and in total

The values for consumption and energy fed into the grid are only displayed when a meter is configured on the inverter and the meter sends valid data.

---

## Inverter/Sensor View

### Inverter View

The Inverter View displays all the inverters present in the system. Clicking on an inverter or the corresponding bar in the Comparison View displays the inverter's real-time data.

### Sensor View

The Sensor View displays all the sensor cards/boxes present in the system.

# Services – System Information

---

## System information

The System Information page contains various information about the system.

The following buttons are also available:

- **Datalogger restart** button  
Used to restart the datamanager/system monitoring
- **Reset to factory settings** button with the following selection options:
  - **All settings except for the network**  
Used to reset the Datamanager (system monitoring) to factory settings. The network settings and all items protected by the service user (UC Editor, meter settings, and the service password) are retained
  - **All settings**  
Used to reset the Datamanager (system monitoring) and the network settings to factory settings. All items protected by the service user (UC Editor, meter settings, and the service password) are retained

**IMPORTANT!** When the Datamanager (system monitoring) is reset to factory settings, the time and date settings must be checked.

# Services – Network Diagnostics

---

## Network diagnostics

The Services / Network diagnostics option contains functions that are useful for diagnosing and correcting network problems. Ping and traceroute commands can be executed.

### Ping command

Used to determine whether or not a host is available and how much time a data transfer will take.

Send ping command:

- 1 Enter a host name or IP address in the **Host** field
- 2 Click on the **ping** button
  - Ping command is sent
  - The resulting data is displayed

### Traceroute command

Used to determine via which intermediate stations the data reaches the host.

Send traceroute command:

- 1 Enter a host name or IP address in the **Host** field
- 2 Click on the **traceroute** button
  - Traceroute command is sent
  - The resulting data is displayed

# Services – Firmware Update

---

## General

You can update the Datamanager firmware under Services/Firmware Update. A firmware update can be performed via LAN or web.

---

## Automatic update search

**IMPORTANT!** An internet connection is required for the automatic update search.

When the **Automatic update search** option is activated, the Datamanager will automatically search for updates once a day. If new updates are available, a message is displayed under the other setting options for the website.

---

## Manual update search

When the **Automatic update search** option is deactivated, there will be no automatic search for updates.

- 1 To search manually for updates, use the **Check now** button
- 

## Firmware update via web

- 1 Open the Datamanager website via a web browser
- 2 Open "Firmware update" under "Services"
- 3 Select **Update via Web**
- 4 Click on the **Run update** button

The confirmation prompt for the update appears

- 5 Click on the **Yes** button

The update starts and the progress is displayed as a bar and a percentage.

- 6 Once the update has been carried out successfully, click on the **Apply/Save**  button

If the connection to the server fails:

- Deactivate the firewall for the duration of the update
- Retry the update

### **IMPORTANT!**

**If a proxy server is used to connect to the internet:**

- ▶ The **Use proxy server for Web update** option must be activated
  - ▶ The required data must be entered
- 

## Firmware update via LAN

- 1 Establish LAN connection between PC/laptop and Datamanager
- 2 Download the current firmware from the Fronius homepage
- 3 Run the downloaded update file on the PC/laptop

This will start a web server from which the Datamanager will download the required files.

- 4 Open the Datamanager website via a web browser

**5** Open **Firmware update** under **Services**

**6** Select **Update via LAN**


**7** Enter the IP address of the PC/laptop

**8** Click on the **Run update** button

The confirmation prompt for the update appears.

**9** Click on the **Yes** button

The update starts and the progress is displayed as a bar and a percentage.

**10** Once the update has been carried out successfully, click on the **Apply/Save**  
  button

The update is complete when the supply LED lights up green again.

If the connection to the server fails:

- Deactivate the firewall for the duration of the update
- Retry the update

# Services – Opening Wizards

---

**Opening wizards** Under **Open Wizards**, it is possible to re-open the Solar.web Wizard and the Technician Wizard and run these again.

# Settings – General

---

## General

You can enter the charge rate per kWh, the currency, and the expenses per kWh to calculate the yield under "Feed-in payment". The yield is shown in the current Total View.

The date, hour, and minutes can be entered under "System time."

Click on the **Synchronize** button to adapt the time displayed in the entry fields of the Datamanager website to the time set on the operating system.

Click on the **Apply/Save** button to apply the  time.

The region and location for the time zone can be set under "Time zone settings."

Fields marked with \* are mandatory fields.



# Settings – Passwords

---

## General

Access to Fronius Datamanager 2.0 is regulated by assigning passwords.

Three different password types are available:

- the administrator password
  - the service password
  - the user password
- 

## Passwords

### Administrator Password

**User name** = admin

The administrator password set during commissioning assigns the user read and write (configuration) access. The user can then open the **Settings** menu item and define any settings as desired, with the exception of the **UC Editor** and **Meter**.

When an administrator password is set, the user must enter the user name and password to open the "Settings" menu item.

### Service Password

**User name** = service

The service password is usually assigned in the setup wizard by the service technician or system installer and provides access to system-specific parameters. The service password is required to adjust **Meter** settings and settings in the **UC Editor**. If no service password has been assigned, the **Meter** and **UC Editor** menu items cannot be accessed.

### User Password

After activating the **Save local site page** selection field, the user password is displayed; **user name** = user.

An assigned user password gives the user read access only. The user cannot open the **Settings** menu item.

When assigning a user password, users must enter their username and password every time they connect.


# Settings – Network

---

## Internet via WLAN



The networks found are displayed.

Clicking on the Refresh button will  perform a new search for available WLAN networks.

Hidden networks can be added via the **WLAN Settings > Add WLAN** menu.

**Setup** button – used to save a selected WLAN network.  
Clicking on this option opens the **WLAN connection** window

**Remove** button – used to delete a saved WLAN network.

**Configure WLAN IP** button – clicking on this option opens the **Configure IP** window, with the same setting options as for a LAN connection.

**Connect via WPS** button – for connecting to the WLAN via WPS without WLAN password:

1. Activate WPS on the WLAN router (see WLAN router documentation)
2. Click **Connect via WPS** button
3. The WLAN connection is established automatically

---

## Internet via LAN



Setting options:

- **Obtain address – statically**  
The user has to enter a fixed **IP address** for the Datamanager (system monitoring), the **subnet mask**, **gateway** address, and **DNS server** address (from the provider).
- **Obtain address dynamically**  
The Datamanager (system monitoring) obtains its IP address from a DHCP server (DHCP = dynamic host configuration protocol).  
The DHCP server must be configured so that the Datamanager is always assigned the same IP address. You will then always know the IP address at which the Datamanager (system monitoring) can be found.  
If the DHCP server supports the "DNS dynamic updates" function, a name can be entered for the Datamanager (system monitoring) in the **Host name** field. The connection to the Datamanager (system monitoring) can then be established using the name instead of the IP address.  
For example: **Host name** = sample\_system, Domain name = fronius.com.  
The Datamanager (system monitoring) can be reached via the address "sample\_system.fronius.com".

---

## Local network via Access Point



The Datamanager (system monitoring) is used as the access point. The PC or smart device connects directly to the Datamanager (system monitoring). Connecting to the internet is not possible.

# Settings – Fronius Solar.web

---

## Solar.web

The **Fronius Solar.web** menu item can be used to make a direct connection to Fronius Solar.web.

Selecting the storage interval for the fields **Inverter Query Cycle** and **Fronius Sensor Cards Query Cycle** affects the required storage capacity.

**Register Solar.web** button – clicking on this button opens the Fronius Solar.web start page; data relevant for Fronius Solar.web is automatically sent as well.

### Cloud Control

A virtual power plant is an interconnection of multiple generators to form a group. This group can be controlled by means of the cloud control via the Internet. An active inverter Internet connection is a prerequisite for this. System data is transmitted.

If the **Allow cloud control for utility company/power supplier requirements** function is enabled (service access required), the **Allow cloud control for virtual power plants** function is automatically enabled and cannot be disabled.

The function **Allow cloud control for utility company/power supplier requirements** may be mandatory for proper operation of the system.

---

## Memory capacity

The Fronius Datamanager has a memory capacity of up to 5 years and 7 months for a PV system with one inverter and a save interval of 15 minutes. However, the memory capacity is reduced accordingly depending on the number of inverters and/or Fronius sensor cards/boxes that are integrated into the system.

---

## Calculating memory capacity

- 1 Determine logging points for inverters and Fronius sensor cards/boxes

$$\text{Logging points per day} = \frac{\text{Logging duration [min]}}{\text{Save interval [min]}}$$

Logging duration [min]

- For inverters: e.g., 14 hours = 840 minutes

- For Fronius Sensor Card/Fronius Sensor Box: 24 hours = 1440 minutes

- 2 Establish total of logging points

Total of logging points =

= (number of inverters x logging points per day) + (number of Fronius Sensor Cards / boxes x logging points per day)

- 3 Determine memory sectors per day

$$\text{Memory sectors per day} = \frac{\text{Total logging points}}{114}$$

- 4 Round to whole numbers

- 5 Determine memory capacity

$$\text{Memory capacity [days]} = \frac{2048}{\text{Memory sectors per day}}$$


---

**Calculation example**

2 inverters, logging duration = 14 hours (840 minutes)  
 1 Fronius Sensor Card, logging duration = 24 hours (1440 minutes)

Save interval = 15 minutes

1. Logging points per day:

$$\text{Inverter logging points} = \frac{840 \text{ min}}{15 \text{ min}} = 56$$

$$\text{Sensor Card logging points} = \frac{1440 \text{ min}}{15 \text{ min}} = 96$$

2. Total logging points:

$$\text{Total logging points} = (2 \times 56) + (1 \times 96) = 208$$

(2 x 56) ... 2 inverters, (1 x 96) ... 1 Sensor card

3. Memory sectors per day:

$$\text{Memory sectors} = \frac{208}{114} = 1.825$$

4. Rounded:

$$1.825 \quad \Rightarrow \quad 2$$

5. Memory capacity [days]:

$$\text{Memory capacity} = \frac{2048}{2} = 1024 \text{ days (= 2 years, 9 months, 18 days)}$$

$$\text{Memory capacity [days]} = \frac{2048}{\text{Memory sectors per day}}$$

# Settings - IO Mapping

## General

The characteristics of the inverter's individual inputs and outputs (I/O) can be configured in this menu item. Only the settings possible with the respective system can be selected, depending on the range of functions and system configuration.

Any activated output that has not been assigned ("free") will remain active until the inverter is restarted. The status of an output will only change if new specifications are entered for assigned services.

## AUS – Demand Response Modes (DRM)

Demand Response Modes for Australia

You can adjust the pins for control via DRM here:

**IMPORTANT!** To control an inverter via DRM the inverter has to have a Fronius DRM Interface (item number 4,240,005). Assembly and installation are described in the Installation Instructions of the Fronius DRM Interface. The Installation Instructions for the Fronius DRM Interface are available on the Fronius homepage at:



<http://www.fronius.com/QR-link/4204102292>

Mode	Description	Information	Default pin
DRM0	Inverter disconnects from the grid	Grid relays open	
	REF GEN	closed	FDI
	COM LOAD	closed	FDI
		or	
		combinations of invalid DRM1–DRM8	
DRM1	$-P_{nom} \leq 0\%$ without disconnection from grid	Limits the effective power consumption	6
DRM2	$-P_{nom} \leq 50\%$	Limits the effective power consumption	7
DRM3	$-P_{nom} \leq 75\% \ \& \ +Q_{rel}^* \geq 0\%$	Limits the effective power consumption	8
		and	
		sets the reactive power	

Mode	Description	Information	De- fault pin
DRM4	$-P_{nom} \leq 100\%$	Normal operation without restriction	9
DRM5	$+P_{nom} \leq 0\%$ without disconnection from grid	Limits the effective power output	6
DRM6	$+P_{nom} \leq 50\%$	Limits the effective power output	7
DRM7	$+P_{nom} \leq 75\%$ & $-Q_{rel}^* \geq 0\%$	Limits the effective power output  and  sets the reactive power	8
DRM8	$+P_{nom} \leq 100\%$	Normal operation without restriction	9

FDI on the Fronius DRM interface

\* The values for  $Q_{rel}$  can be adjusted in the UC Editor menu item.

The nominal device output is always meant when referring to the inverter's remote control capability.

**IMPORTANT!** If no DRM control (DRED) is connected to Datamanager and the **AUS – Demand Response Mode (DRM)** function is activated, the inverter switches to standby mode.

### IO control

You can adjust the pins for the IO control here. Other settings can be made in the **UC Editor > IO Control** menu.

IO control	De- fault pin	IO control	De- fault pin
IO control 1 (optional)	2	IO control 6 (optional)	7
IO control 2 (optional)	3	IO control 7 (optional)	8
IO control 3 (optional)	4	IO control 8 (optional)	9
IO control 4 (optional)	5	IO control feedback (optional)	0
IO control 5 (optional)	6		

### Load management

Up to four pins for the load management can be selected here. Further settings for the load management are available in the **Load management** menu item.  
Default pin: 1

# Settings - load management

---

## General

The outputs I/O 0 - I/O 3 can be used to control an actuator (e.g., relay, contactor) via the load management function.  
A connected load can thus be controlled by assigning a power feed-dependent switch-on or switch-off point.

---

## Load management

### Control

**deactivated:** Control via Energy Management is deactivated.

**by the power generated:** Control via Energy Management takes place through the power generated

**by excess power (given feed limits):** Control via Energy Management is effected by excess power (given feed limits).

This option can only be selected if a meter has been connected. If the I/Os have a higher priority than the battery, the possible charging power of the battery is considered to be surplus. In this case, the switching threshold must not be defined on the gateway.

### Thresholds

**on:** For entering an effective power limit at which the I/O output is activated

**off:** For entering an effective power limit at which the I/O output is deactivated.

If **by excess power** is selected under **Control**, additional selection fields for **Feed** and **Reference** are displayed under **Thresholds**.

### Runtimes

**Minimum runtime for each switch-on process:** Field for entering a minimum time for which the I/O output is to be activated for each switch-on process.

**Maximum runtime per day:** Field for entering a maximum time for which the I/O output is to be activated in total per day (several switch-on processes are included).

### Target runtime

**per day:** Field for entering a minimum time for which the I/O output is to be activated per day.

**achieved by:** Field for selecting the time, if the target runtime is to be achieved by a certain time

### Status

If the mouse pointer is moved over the status, the reason for the current status is displayed.

### IMPORTANT!

If several load outputs are used, they are activated at an interval of one minute depending on the priority (max. 4 rule = max. 4 minutes).



# Settings – Push Service

---

## **Push Service**

This function can be used to export current and log data in different formats or with different protocols to an external server.

Further information about the push service function can be found in the following Operating Instructions:



<http://www.fronius.com/QR-link/4204102152>

42,0410,2152  
Fronius Push Service

# Modbus Settings

---

## General

From your web browser, you can use the Fronius Datamanager 2.0 website to apply the Modbus connection settings which cannot be accessed via the Modbus protocol.

---

## Additional information on the Modbus function

For additional information on the Modbus function, please see the following Operating Instructions:



<http://www.fronius.com/QR-link/4204102049>

42,0410,2049  
Fronius Datamanager Modbus connection



<http://www.fronius.com/QR-link/4204102108>

42,0410,2108  
Fronius Datamanager Modbus RTU Quickstart Guide

---

## Data output via Modbus

### Data output via Modbusoff

If the data output via Modbus is deactivated, control commands sent to the inverter via Modbus are reset, e.g., no power reduction or no reactive power specification.

### Data output via Modbus tcp

If the data output via Modbus is deactivated, control commands sent to the inverter via Modbus are reset, e.g., no power reduction or no reactive power specification.

**Modbus port** field – number of the TCP port which must be used for Modbus communication. Presetting: 502. Port 80 cannot be used for this purpose.

**String Control address offset** field – offset value for addressing Fronius String Controls via Modbus.

**Sunspec Model Type** – used to select the data type of data models for inverters and energy meters.

**float** – display as floating-point numbers.

SunSpec Inverter model I111, I112, or I113

SunSpec Meter model M211, M212, or M213

**int+SF** – display as integers with scaling factors

SunSpec Inverter model I101, I102, or I103

SunSpec Meter model M201, M202, or M203

**IMPORTANT!** Since the different models have different numbers of registers, the register addresses of all the subsequent models also change when the data type is changed.

**Demo mode** – the demo mode is used to implement or validate a Modbus master. It enables you to read inverter, energy meter, and Fronius String Control data

without actually having to connect or activate a device. The same data are always sent back for all the registers.

#### **Inverter control via Modbus**

If this option is activated, the inverters can be controlled via Modbus. The **Limit Control** selection field is displayed. Inverter control includes the following functions:

- On/off
- Power reduction
- Setting a constant power factor (cos phi)
- Setting a constant reactive power

#### **Data output via Modbus set to rtu**

If there is a Modbus energy meter (e.g., Fronius Smart Meter) configured under **Settings > Meter** in the system, it will not be possible to use the **rtu** setting. In this case, data output via Modbus will be deactivated automatically upon selection of **rtu**. This change will only be visible once the website has been re-loaded.

Any energy meter connected via RS-485 can also be read by Modbus TCP via the corresponding SunSpec models. The Modbus ID for the meter is 240.

**Interface** field – Modbus interface 0 (rtu0 | default) or Modbus interface 1 (rtu1) can be selected here.

**String Control address offset** field – offset value for addressing Fronius String Controls via Modbus. For further details, see "Modbus Device ID for Fronius String Controls" section.

**Sunspec Model Type** – used to select the data model data type for inverters

**float** – display as floating-point numbers

SunSpec Inverter model I111, I112, or I113

**int+SF** – display as integers with scaling factors

SunSpec Inverter model I101, I102, or I103

**IMPORTANT!** Since the different models have different numbers of registers, the register addresses of all the subsequent models also change when the data type is changed.

**Demo mode** – the demo mode is used to implement or validate a Modbus master. It enables you to read inverter, energy meter, and Fronius String Control data without actually having to connect or activate a device. The same data are always sent back for all the registers.

#### **Inverter control via Modbus**

If this option is activated, the inverters can be controlled via Modbus. Inverter control includes the following functions:

- On/off
- Power reduction
- Setting a constant power factor (cos phi)
- Setting a constant reactive power

#### **Control priorities**

Used to specify which service is given priority by the inverter control unit.

1 = highest priority, 3 = lowest priority

The control priorities can only be changed under the **UC Editor** menu item.

---

**Limiting control**

The **Limit Control** option is only available for the TCP transmission protocols. It is used to block inverter control commands from unauthorized users by only permitting control for specific devices.

**IP address field**

To limit inverter control to one or more devices, enter the IP addresses of the devices which are permitted to send commands to Fronius Datamanager in this field. Multiple entries are separated by commas.

Examples:

- One IP address: **98.7.65.4** – control only permitted by IP address 98.7.65.4
- Several IP addresses: **98.7.65.4,222.44.33.1** – control only permitted by IP addresses 98.7.65.4 and 222.44.33.1
- IP address range, e.g., from 98.7.65.1 to 98.7.65.254 (CIDR notation):  
**98.7.65.0/24** – control only permitted by IP addresses 98.7.65.1 bis 98.7.65.254

---

**Save or Reject Changes**

Saves the changes and displays a message confirming this.

If you exit the **Modbus** section without saving your changes, all the changes you have made will be rejected.

Prompts you to confirm whether or not you wish to reject the changes you have made and then reinstates the most recently saved values.

# Settings – Inverter

---

## **Inverter**

The data for the Comparison View is defined in the **Inverter** menu.  
If the **visible** selection field is selected, the inverter is displayed in the Comparison View.

# Settings – Fronius Sensor Cards

---

## **Sensor Cards**

A specific channel name can be assigned to each sensor value of a Fronius Sensor Card/Box under "Sensor Cards" (e.g., Wind Speed).

# Settings – Counter

---

## General

**IMPORTANT!** Settings in the **Meter** menu item may only be entered by staff trained to do so!

The service password must be entered for the **Meter** menu item.

Three-phase or one-phase Fronius Smart Meters may be used. In both cases, selection is made via the **Fronius Smart Meter** item. The Fronius Datamanager automatically detects the meter type.

A primary meter or, optionally, multiple secondary meters can be chosen. The primary meter must be configured before a secondary meter can be chosen.

---

## Fronius Smart Meter

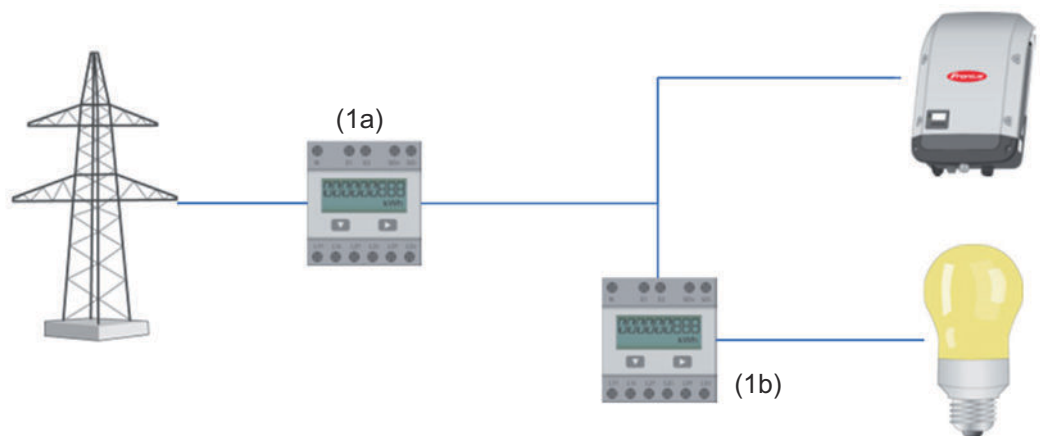
When the Fronius Smart Meter is chosen as a meter, the field **Settings** must be used to set the meter position.

### Meter position at Feed-in point (1a)

The power of feeding in and energy are measured. The consumption is determined using these values and the system data.

### Meter position in Consumption branch (1b)

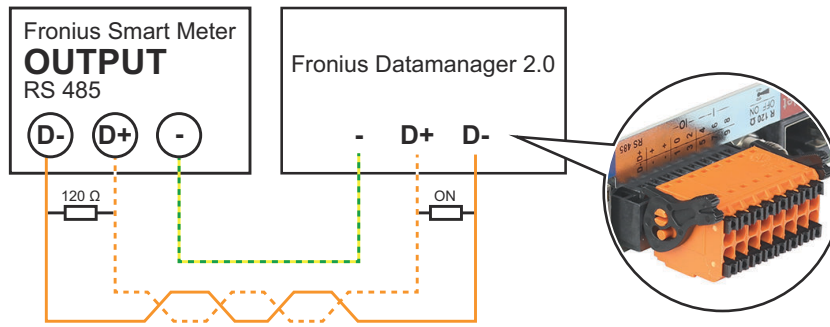
The consumed power and energy are measured directly. The power of feeding in and energy are determined using these values and the system data.



### Secondary meter

If a Fronius Smart Meter was chosen as a secondary meter, a window will open to enter the **Description** (freely selectable) as well as a **Modbus address** field. A value is suggested automatically in the "Modbus address" field (next free address in the address range). The Modbus address must not be assigned twice. Click on **Scan** after entering.

**Connecting the Fronius Smart Meter to the Fronius Datamanager 2.0**



**So Inverter**

**Meter position at Feed-in point (1a)**

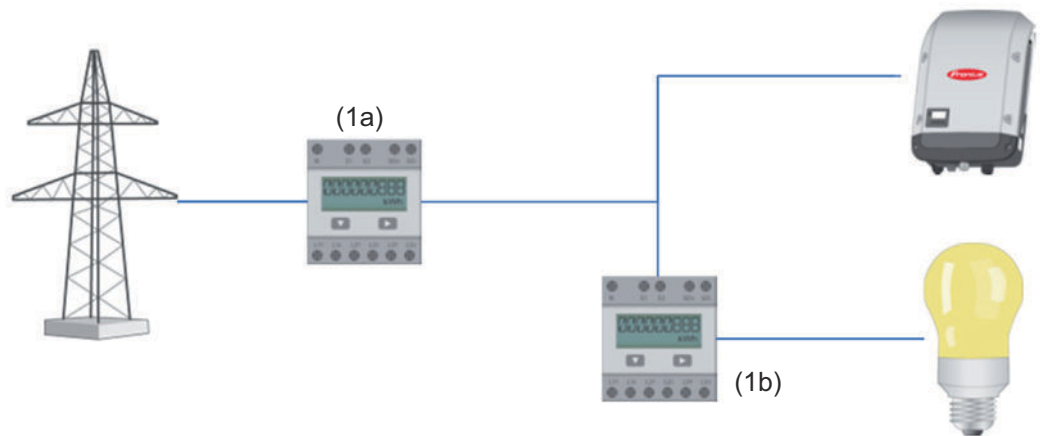
The power of feeding in and energy are measured. The consumption is determined using these values and the system data. A SO meter must be configured at this point so that the amount of energy fed is counted.

**IMPORTANT!**

With an SO meter at the infeed point, the meter data are not displayed in Fronius Solar.web. This option is only provided for dynamic power reduction. The consumption values can be detected to a limited extent when feeding into the grid.

**Meter position in Consumption branch (1b)**

The consumed power and energy are measured directly. The power of feeding in and energy are determined using these values and the system data. An SO meter must be configured at this position in order to count the energy consumed.

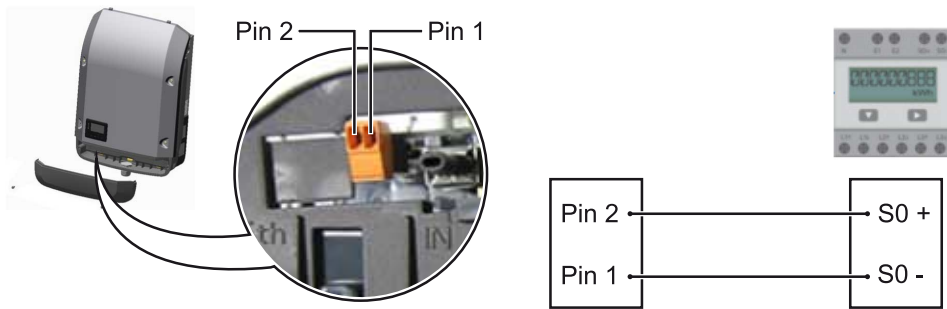


A meter for measuring self-consumption per SO can be connected directly to the inverter.

**IMPORTANT!**

An SO meter is connected to the switchable multi-functional current interface of the inverter. Connecting an SO meter to the inverter may require an inverter firmware update.





Requirements for the SO meter:

- Must meet standard IEC 62053-31 Class B
- Max. voltage: 15 V DC
- Max. current when ON: 15 mA
- Min. current when ON: 2 mA
- Max. current when OFF: 0.15 mA

Recommended max. impulse rate of SO meter:

PV power kWp [kW]	Max. impulse rate per kWp
30	1000
20	2000
10	5000
≤ 5.5	10,000

# Settings – DNO Editor

---

## General

In the **UC Editor** menu item, settings relevant to electricity retailers are made. An effective power limit in % and/or a power factor limit can be set.

**IMPORTANT!** Settings in the **UC Editor** menu item may only be made by staff trained to do so!

The service password must be entered for the **UC Editor** menu item.

### Cloud Control

A virtual power plant is an interconnection of multiple generators to form a group. This group can be controlled by means of the cloud control via the Internet. An active inverter Internet connection is a prerequisite for this. System data is transmitted.

If the **Allow cloud control for utility company/power supplier requirements** function is enabled (service access required), the **Allow cloud control for virtual power plants** function is automatically enabled and cannot be disabled.

The function **Allow cloud control for utility company/power supplier requirements** may be mandatory for proper operation of the system.

---

## UC Editor – IO control

**Input pattern** (assignment of individual I/Os):

- **white** = contact open
- **blue** = contact closed
- **gray** = contact not taken into account
- **black** = contact not applicable

Click on the contacts to change the selected **Input pattern**.

The virtual IO control is displayed as described in the "Settings – IO Control" section (see page [70](#)).

The display may be different in older versions of the software.

### Power factor cos phi

**ind** = inductive

**cap** = capacitive

### UC output(feedback output)

This output can be freely configured and will be activated as soon as the rule is set (e.g., for operating a signal device). The **I/O 0** output is preset at the factory for this purpose.

### Excluded inverters

Enter the DATCOM or Fronius Solar Net numbers of the inverters here that are to be excluded from control. Separate multiple inverters with commas.

Delete/Add a Rule

+ = add a new rule

- = delete the selected rule

**Import** button – click to import rules in \*.fpc format

The function of the "Import" button depends on the browser used, e.g., Firefox and Google Chrome support the function.

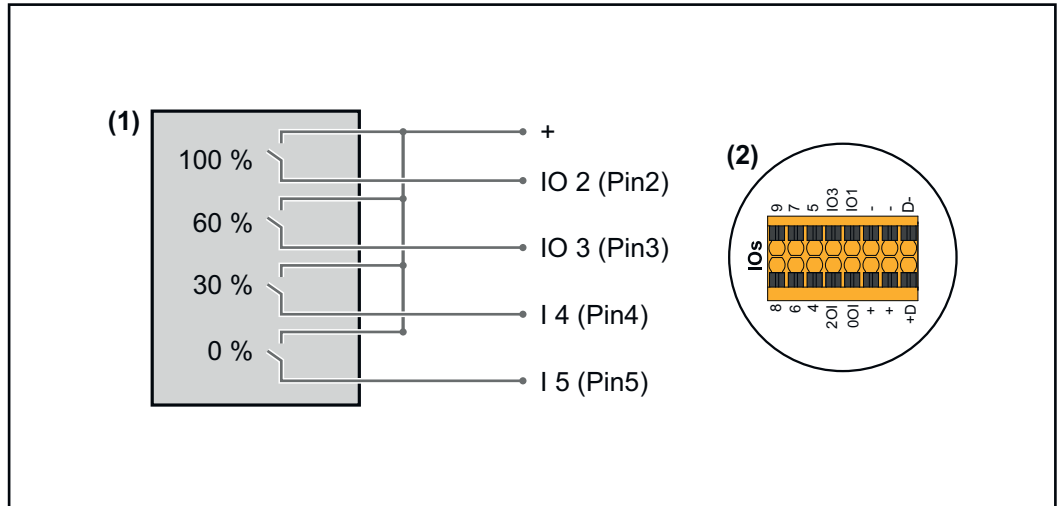
**Export** button – click to save the rules separately in \*.fpc format

**Connection diagram - 4 relays**

The ripple control signal receivers and the I/Os terminals of the inverter are connected to one another using a 4-pole cable, in accordance with the connection diagram.

For cable lengths greater than 10 m between the inverter and the ripple control signal receiver, a shielded cable (CAT 5) is recommended.

4-relay mode is preset in the factory. The following steps are only necessary if the configuration needs to be adjusted or restored.



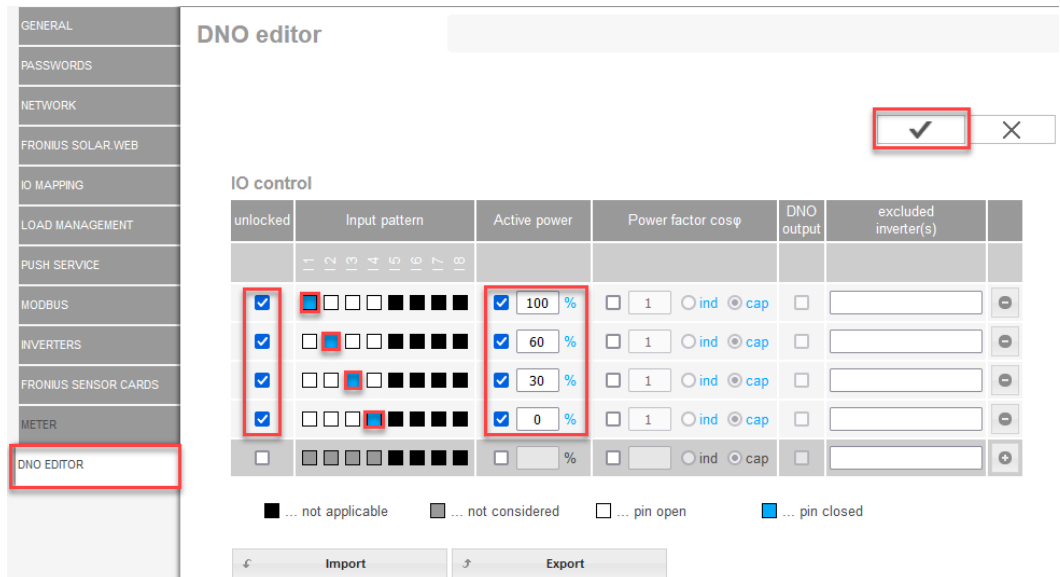
(1) Ripple control signal receiver with four relays for effective power limitation.

(2) I/Os of the data communication area.

**IO Control**

Relay	Connection of Fronius Datamanager 2.0	PIN
1	IO1	2
2	IO2	3
3	IO3	4
4	I 4	5

**Settings on the UC Editor:**



Overview of IO control user interface

1. Select rows 1-4 in the "Unlocked" column
2. Configure **Input pattern**
3. Set the **Effective power** as follows:
  - Rule 1: 100%, relay contact 1 closed
  - Rule 2: 60%, relay contact 2 closed
  - Rule 3: 30%, relay contact 3 closed
  - Rule 4: 0%, relay contact 4 closed
4. Tick the box to save the settings.

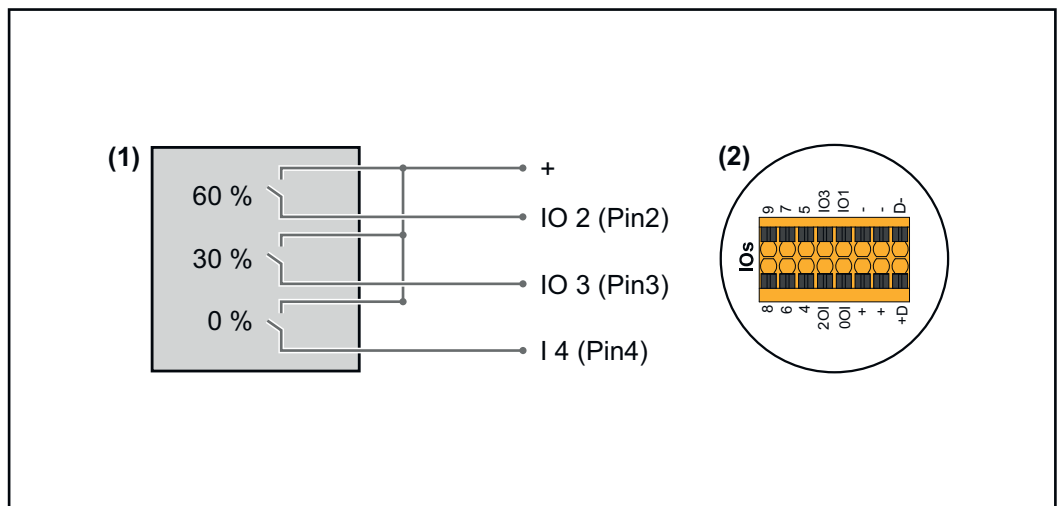
**IMPORTANT!**

Input patterns that are not taken into account must be avoided, because the activated rules are otherwise mutually exclusive. In this case, the dialog "**Saving failed**" appears when saving. Lines with failures are marked in red.

**Connection diagram - 3 relays**

The ripple control signal receivers and the I/Os terminals of the inverter are connected to one another using a 4-pole cable, in accordance with the connection diagram.

For cable lengths greater than 10 m between the inverter and the ripple control signal receiver, a shielded cable (CAT 5) is recommended.



- (1) Ripple control signal receiver with three relays for effective power limitation
- (2) I/Os of the data communication area

## IO Control

Relay	Connection of Fronius Datamanager 2.0	PIN
1	IO1	2
2	IO2	3
3	IO3	4

## Settings on the UC Editor:

Overview of IO control user interface

1. Select rows 1-4 in the "Unlocked" column
2. Configure **Input pattern** for line 1-3
3. Set the **Effective power** as follows:
  - Line 1: 100%, all contacts open, no further rules defined
  - Line 2 / rule 1: 60%, relay contact 1 closed
  - Line 3 / rule 2: 30%, relay contact 2 closed
  - Line 4 / rule 3: 0%, relay contact 3 closed
4. Tick the box to save the settings.

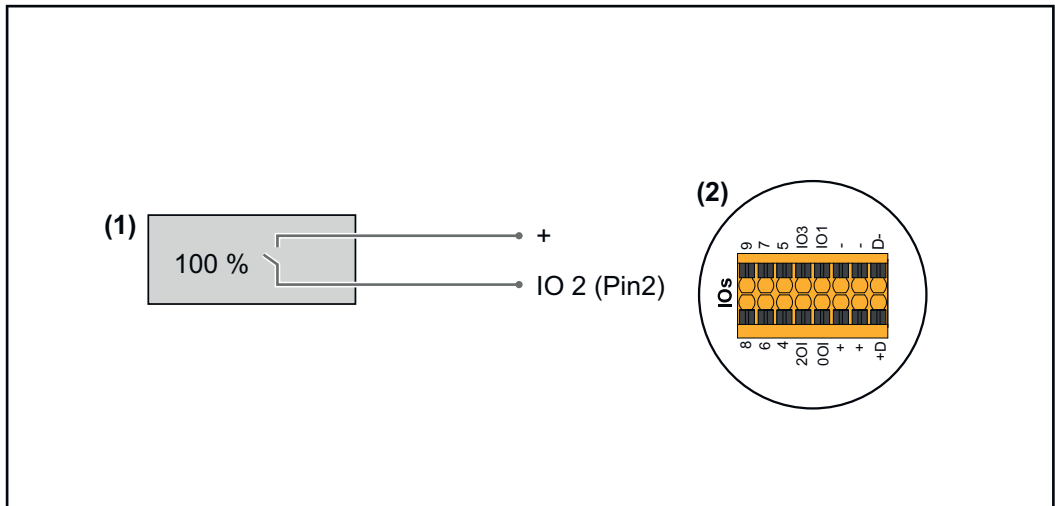
## IMPORTANT!

Input patterns that are not taken into account must be avoided, because the activated rules are otherwise mutually exclusive. In this case, the dialog "**Saving failed**" appears when saving. Lines with failures are marked in red.

## Connection diagram - 1 relay

The ripple control signal receivers and the I/Os terminals of the inverter are connected to one another using a 4-pole cable, in accordance with the connection diagram.

For cable lengths greater than 10 m between the inverter and the ripple control signal receiver, a shielded cable (CAT 5) is recommended.



- (1) Ripple control signal receiver with one relay for effective power limitation.
- (2) I/Os of the data communication area

### IO Control

Relay	Connection of Fronius Datamanager 2.0	PIN
1	IO1	2

### Settings on the UC Editor:

#### Overview of IO control user interface

1. Select rows 1-2 in the "Unlocked" column
2. Configure **Input pattern**
3. Set the **Effective power** as follows:
  - Rule 1: 100%, relay contact 1 open
  - Rule 2: 0%, relay contact 1 closed
4. Tick the box to save the settings.

### IMPORTANT!

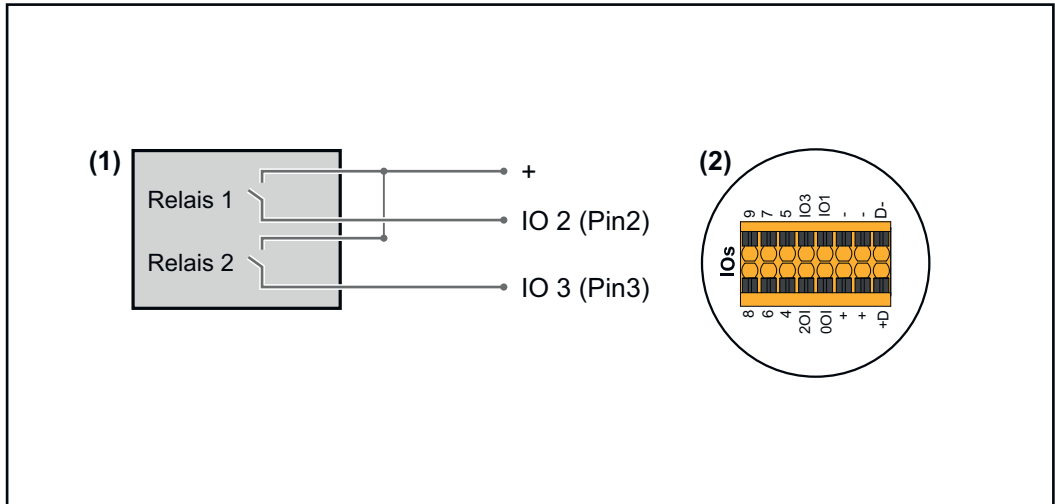
Input patterns that are not taken into account must be avoided, because the activated rules are otherwise mutually exclusive. In this case, the dialog "**Saving failed**" appears when saving. Lines with failures are marked in red.

**Connection diagram - alternative with 2 relays**

The ripple control signal receivers and the I/Os terminals of the inverter are connected to one another using a 4-pole cable, in accordance with the connection diagram.

For cable lengths greater than 10 m between the inverter and the ripple control signal receiver, a shielded cable (CAT 5) is recommended.

In this example, four power levels can be configured with two relays.



- (1) Ripple control signal receiver with two relays for effective power limitation.
- (2) I/Os of the data communication area

**IO Control**

Relay	Connection of Fronius Datamanager 2.0	PIN
1	IO1	2
2	IO2	3

**Settings on the UC Editor:**

Overview of IO control user interface

1. Select rows 1-4 in the **"Unlocked"** column
2. Configure **Input pattern** for line 1-4
3. Set the **Effective power** as follows:
  - Rule 1: 100%, both relay contacts open
  - Rule 2: 60%, relay contact 1 active, pin 2 closed / relay contact 2 not active, pin 3 open
  - Rule 3: 30%, relay contact 1 not active, pin 2 open / relay contact 2 active, pin 3 closed
  - Rule 4: 0%, both relay contacts closed
4. Tick the box to save the settings.

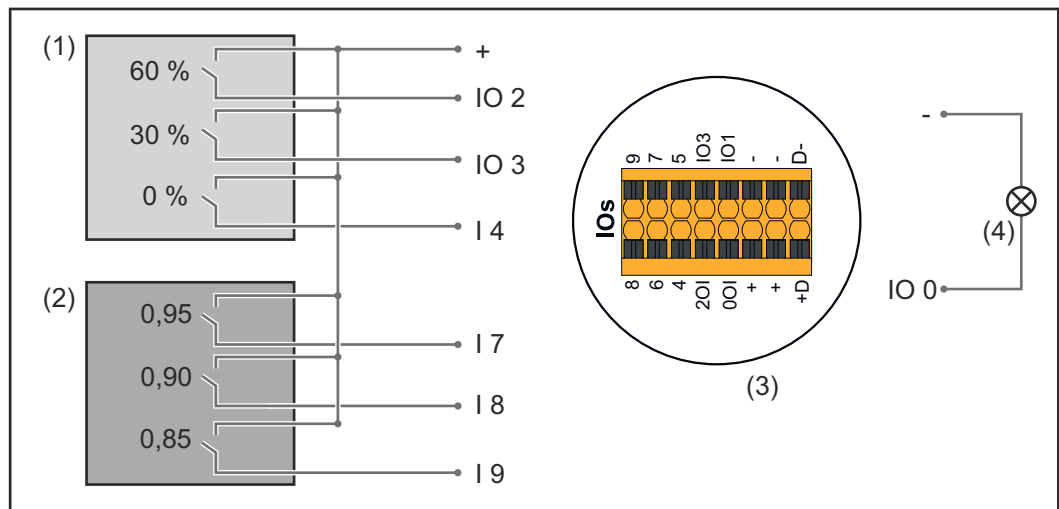
**IMPORTANT!**

Input patterns that are not taken into account must be avoided, because the activated rules are otherwise mutually exclusive. In this case, the dialog **"Saving failed"** appears when saving. Lines with failures are marked in red.

**Example of application with two ripple control receivers**

The ripple control signal receivers and the I/O terminals of the inverter can be connected to one another as shown in the connection diagram. For distances of over 10 m between the inverter and the ripple control signal receiver, a CAT 5 cable is recommended as a minimum and the shielding must be connected on one side at the push-in terminal of the data communication area (SHIELD).

In this example, the connection to two ripple control receivers is described. In this way, the effective power and power factor can be controlled at the same time.



Two ripple control receivers, connected to the Fronius Datamanager 2.0 IOs

- (1) Ripple control receiver with three relays for effective power limitation
- (2) Ripple control receiver with three relays for power factor limitation
- (3) I/Os of the data communication area
- (4) Loads (e.g., signal light, signal relay)

**IO Control ripple control receiver 1 (effective power)**

Relay	Connection of Fronius Datamanager 2.0	PIN
1	IO1	2
2	IO2	3



Relay	Connection of Fronius Datamanager 2.0	PIN
3	I 4	4

### IO Control ripple control receiver 2 (power factor)

Relay	Connection of Fronius Datamanager 2.0	PIN
1	I 7	5
2	I 8	6
2	I 9	7

Settings on the UC Editor:

The screenshot shows the 'DNO editor' interface. On the left is a sidebar with menu items: GENERAL, PASSWORDS, NETWORK, FRONIUS SOLAR WEB, IO MAPPING, LOAD MANAGEMENT, PUSH SERVICE, MODBUS, INVERTERS, FRONIUS SENSOR CARDS, METER, and DNO EDITOR (highlighted in red). The main area is titled 'DNO editor' and contains an 'IO control' table. The table has columns: 'unlocked', 'Input pattern' (with sub-columns 1-8), 'Active power', 'Power factor cosφ', 'DNO output', and 'excluded inverter(s)'. Rows 1-6 are highlighted in red. Row 1: Active power 100%, Power factor 0.95, relay contact 4 closed. Row 2: Active power 60%, Power factor 0.90, relay contact 5 closed. Row 3: Active power 30%, Power factor 0.85, relay contact 6 closed. Row 4: Active power 100%, Power factor 0.95, relay contact 4 closed. Row 5: Active power 100%, Power factor 0.90, relay contact 5 closed. Row 6: Active power 100%, Power factor 0.85, relay contact 6 closed. A 'Saving failed' dialog box is visible in the top right corner.

Overview of IO control user interface

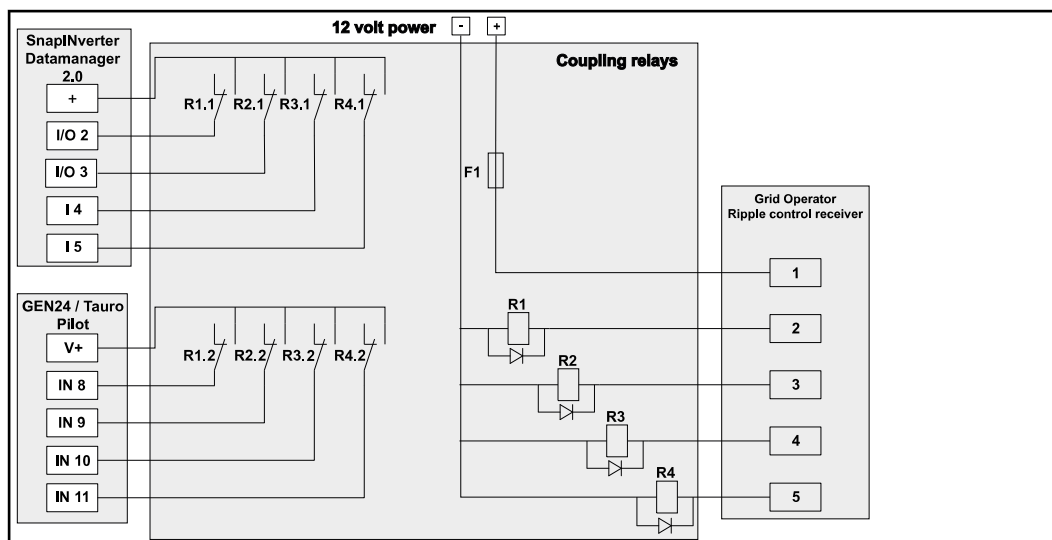
1. Select rows 1-6 in the "Unlocked" column
2. Configure **Input pattern** for line 1-6
3. Set the **Effective power** as follows:
  - Rule 1: 100%, relay contact 1 closed
  - Rule 2: 60%, relay contact 2 closed
  - Rule 3: 30%, relay contact 3 closed
4. Set the **Power factor** as follows:
  - Rule 1: 0.95, relay contact 4 closed
  - Rule 2: 0.90, relay contact 5 closed
  - Rule 3: 0.85, relay contact 6 closed
5. Tick the box to save the settings.

### IMPORTANT!

Input patterns that are not taken into account must be avoided, because the activated rules are otherwise mutually exclusive. In this case, the dialog "**Saving failed**" appears when saving. Lines with failures are marked in red.

### Connecting the ripple control receiver with several inverters

The grid operator may request the connection of one or more inverters to a ripple control receiver in order to limit the effective power and/or the power factor of the photovoltaic system.



Connection diagram for ripple control receiver with several inverters

The following Fronius inverters can be connected to the ripple control receiver via a distributor (coupling relay):

- Symo GEN24
- Primo GEN24
- Tauro
- SnapINverter (only devices with Fronius Datamanager 2.0)

**IMPORTANT!**

On the user interface of each inverter connected to the ripple control receiver, the "4-relay mode" setting (see [Connection diagram - 4 relays](#)) must be activated.

**UC Editor—AUS  
—Demand Response Modes (DRM)**

**IMPORTANT!** To control an inverter via DRM the inverter has to have a Fronius DRM Interface (item number 4,240,005). Assembly and installation are described in the Installation Instructions of the Fronius DRM Interface. The Installation Instructions for the Fronius DRM Interface are available on the Fronius homepage at:



<http://www.fronius.com/QR-link/4204102292>

**Reactive power output**— to enter the reactive power output (= + $Q_{rel}$ ) for DRM 3 in %

**Reactive power input**— to enter the reactive power input (= - $Q_{rel}$ ) for DRM 7 in %

**UC Editor – dynamic power reduction**

Energy companies or utility companies can prescribe feed-in limits for an inverter (e.g., max. 70% of the kWp or max. 5 kW). Dynamic power reduction takes account of self-consumption in the household before the power of an inverter is reduced:

- An individual limit can be set.
- A meter for determining self-consumption per SO can be connected directly to the inverter.
- A Fronius Smart Meter can be connected to the Datamanager at the D-/D+ connections for Modbus data.

**No limit** – the inverter converts all available PV energy and feeds it into the public grid.

**Limit for the entire system** – The entire photovoltaic system is limited to a fixed power limit. A value must be set for the permissible total feed-in power.

**Limit per phase (not for single-phase devices)** - Each individual phase is measured. If the permissible feed-in limit is exceeded on one phase, the total power of the inverter is reduced until the value on the affected phase is permissible again (see example below). This setting is only necessary if required by national standards and regulations. The value of the permissible power of feeding in per phase must be set.

"Limit per phase" is limited to 20 inverters. When the limit is exceeded, the function of power limitation is no longer available.

<b>Example: "Limit per phase" (set value 2000 W)</b>				
Max. possible production [kW]	4	4	4	12
Set value "Limit per phase" [kW]	2			6
Load requirement in the home network [kW]	2	3	5	10
Load coverage in the domestic grid via PV system [kW]	2	2	2	6
Drawn from the public grid [kW]	0	1	3	4

Field for entering the total DC system power in Wp.

This value is used as a control reference and also in case of a fault (e.g., meter failure).

Field for entering the max. power in W or % (up to two figures after the decimal place, negative values are also possible)

If no meter has been selected under the "Meter" menu item:

max. power generated for the entire system

If Fronius Smart Meter or SO inverter has been selected under the "Meter" menu item: max. energy fed into the grid

**Hard Limit** - If this value is exceeded, the inverter switches off within max. 5 seconds. This value must be higher than the value set for **Soft Limit**.

**Soft Limit** - If this value is exceeded, the inverter readjusts down to the set value within the time required by the national standards and regulations.

**UC Editor – Control priorities**

Used to set control priorities for the ripple control signal receiver, the dynamic power reduction, and the control via Modbus

1 = highest priority, 3 = lowest priority



[fronius.com/en/solar-energy/installers-partners/products-solutions/monitoring-digital-tools](https://fronius.com/en/solar-energy/installers-partners/products-solutions/monitoring-digital-tools)

**MONITORING &  
DIGITAL TOOLS**

**Fronius International GmbH**

Froniusstraße 1  
4643 Pettenbach  
Austria  
[contact@fronius.com](mailto:contact@fronius.com)  
[www.fronius.com](http://www.fronius.com)

At [www.fronius.com/contact](http://www.fronius.com/contact) you will find the contact details of all Fronius subsidiaries and Sales & Service Partners.